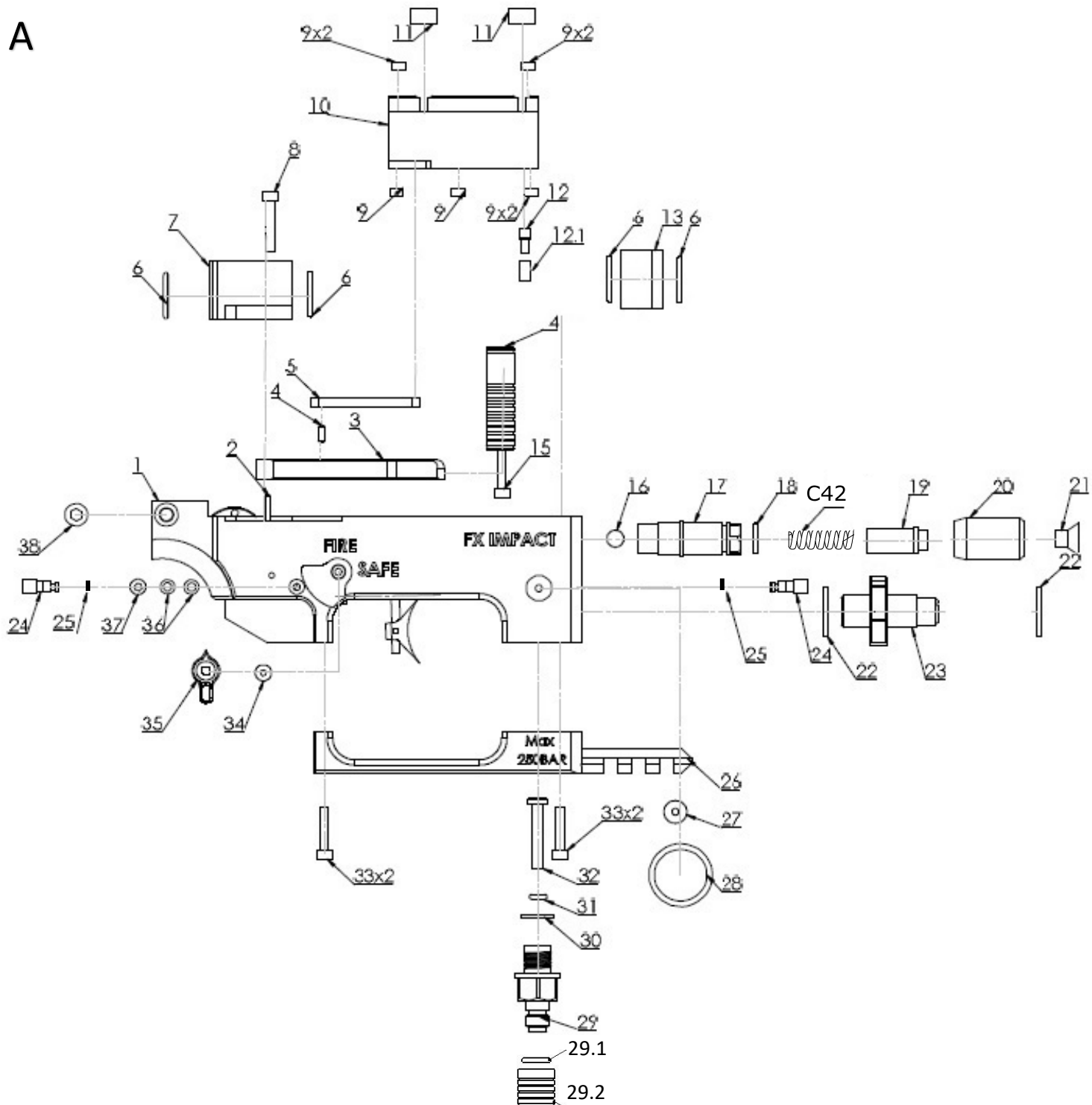


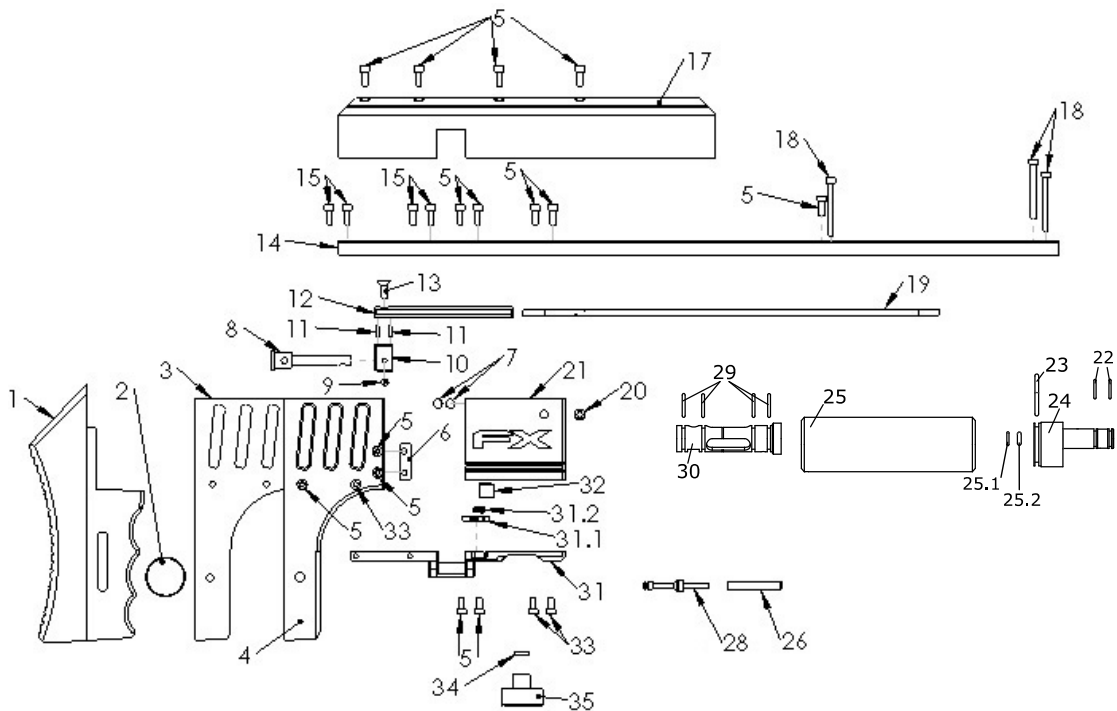
Model	Name	Article No.	Date	Revision	Revision date
FX Impact MkII, Power Plenum	Repair kit Impact MKII Power Plenum	20332	2020-03-24	EN.	-

A

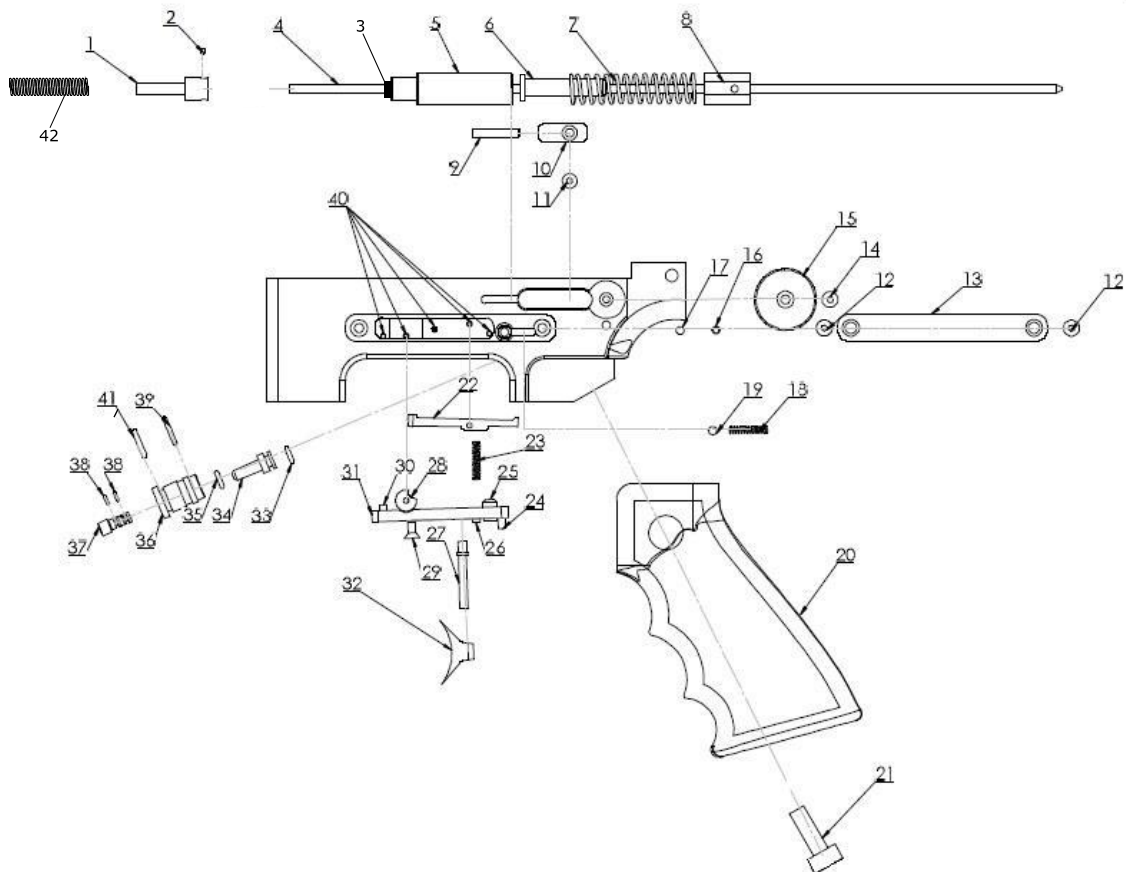


Model	Name	Article No.	Date	Revision	Revision date
FX Impact MkII, Power Plenum	Repair kit Impact MKII Power Plenum	20332	2020-03-24	EN.	-

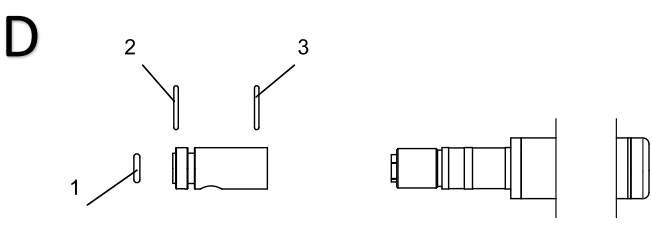
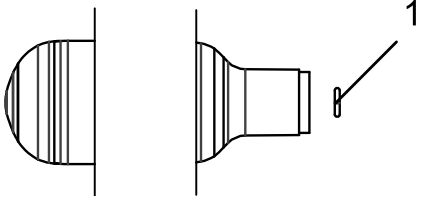
**B**



**C**



<b>Model</b>	<b>Name</b>	<b>Article No.</b>	<b>Date</b>	<b>Revision</b>	<b>Revision date</b>
FX Impact MkII, Power Plenum	Repair kit Impact MKII Power Plenum	20332	2020-03-24	EN.	-

NO	ART. NO	DESCRIPTION	NO	ART. NO	DESCRIPTION			
A18	19722	O-ring 9x1,5 NBR 70						
A22	11507	Rubbersteel washer M12						
A25	19761	O-ring 2,2x1 NBR 70						
A27	19762	X-ring 3,63x2,62 NBR 70						
A29.1	4528	O-ring 7.66x1.78 NBR70						
A30	19720	O-ring 10x1 NBR 90						
A31	5107	O-ring 2,9x1,78 PUR 90						
A36	19736	Delrin bushing 5,3						
B22	19763	O-ring 9x1,5 NBR90						
B23	5113	O-ring 20,24x2,62 NBR70						
B25.1	19726	O-ring 5.5x1.5 NBR70				D1 .177	2529	O-ring 4,3 x 1,5 NBR 70
B25.2	19768	O-ring 2.84x2.62 PUR90				D1 .22	19726	O-ring 5,5 x 1,5 NBR 70
B28	20275	Valvepin complete Impact, Power Plenum				D1 .25	2575	O-ring 6,35x1,27 nbr70
B29	19677	O-ring 10,5x2 NBR 70				D1 .30	19209	O-ring 7,5x1,5 NBR 70
B34	19762	X-ring 3,63x2,62 NBR 70						
C33	19109	O-ring 4x1,5 NBR 70	D2	19703	O-ring 10x2 NBR70			
C35	19109	O-ring 4x1,5 NBR 70	D3	19703	O-ring 10x2 NBR70 ( <i>cal. .177, .22, .25</i> ) (.30)			
C38	19731	O-ring 2x1 NBR 90						
C39	19790	O-ring 10x1,5 NBR90	D3.1	19210	O-ring 11x1,5 NBR 70 ( <i>Cal. .30 on X-barrel</i> )			
C41	19225	O-ring 7,5x2 NBR70						
								
			E1	5105	O-ring 9,3x2,4 NBR90			