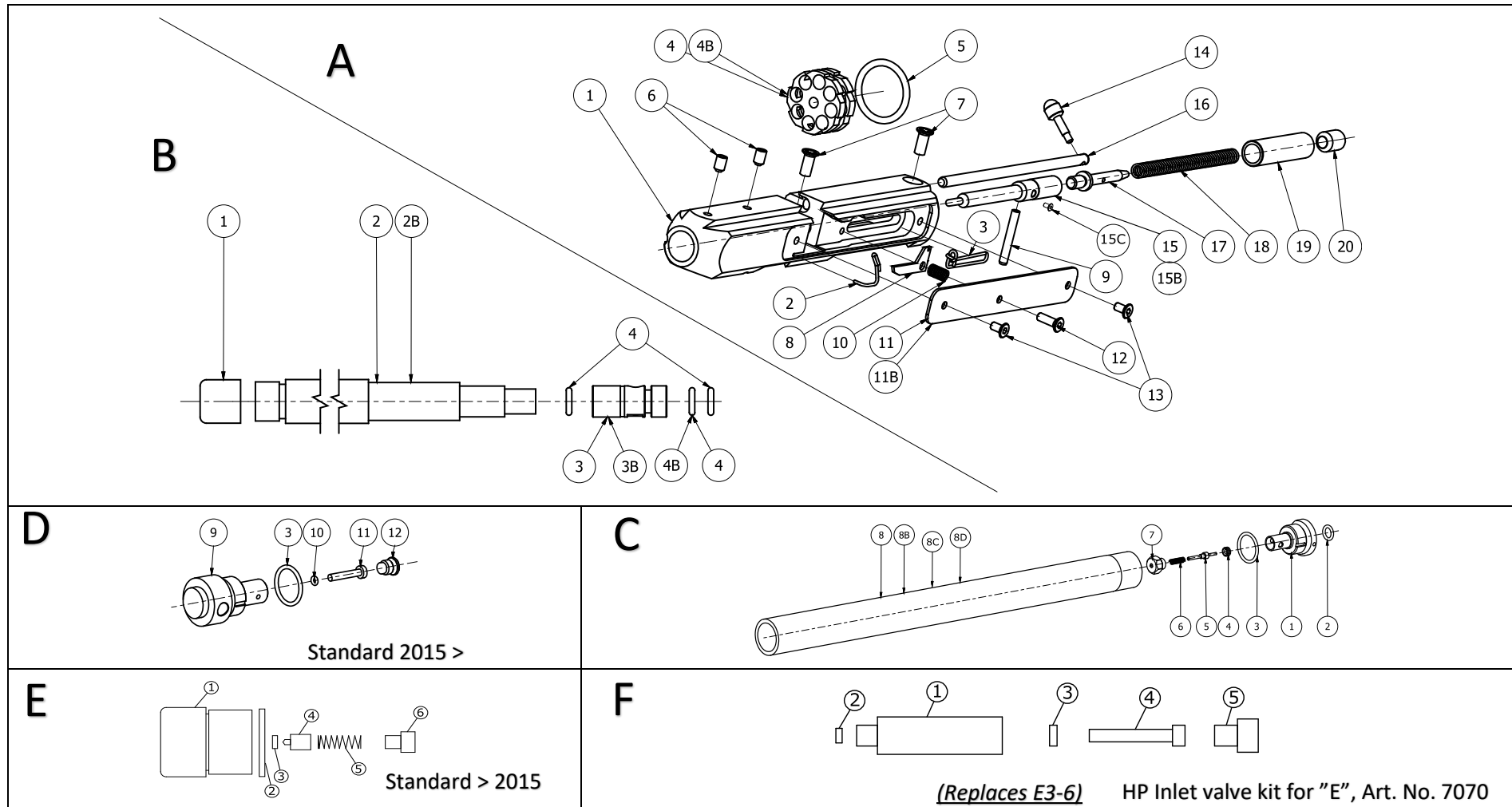
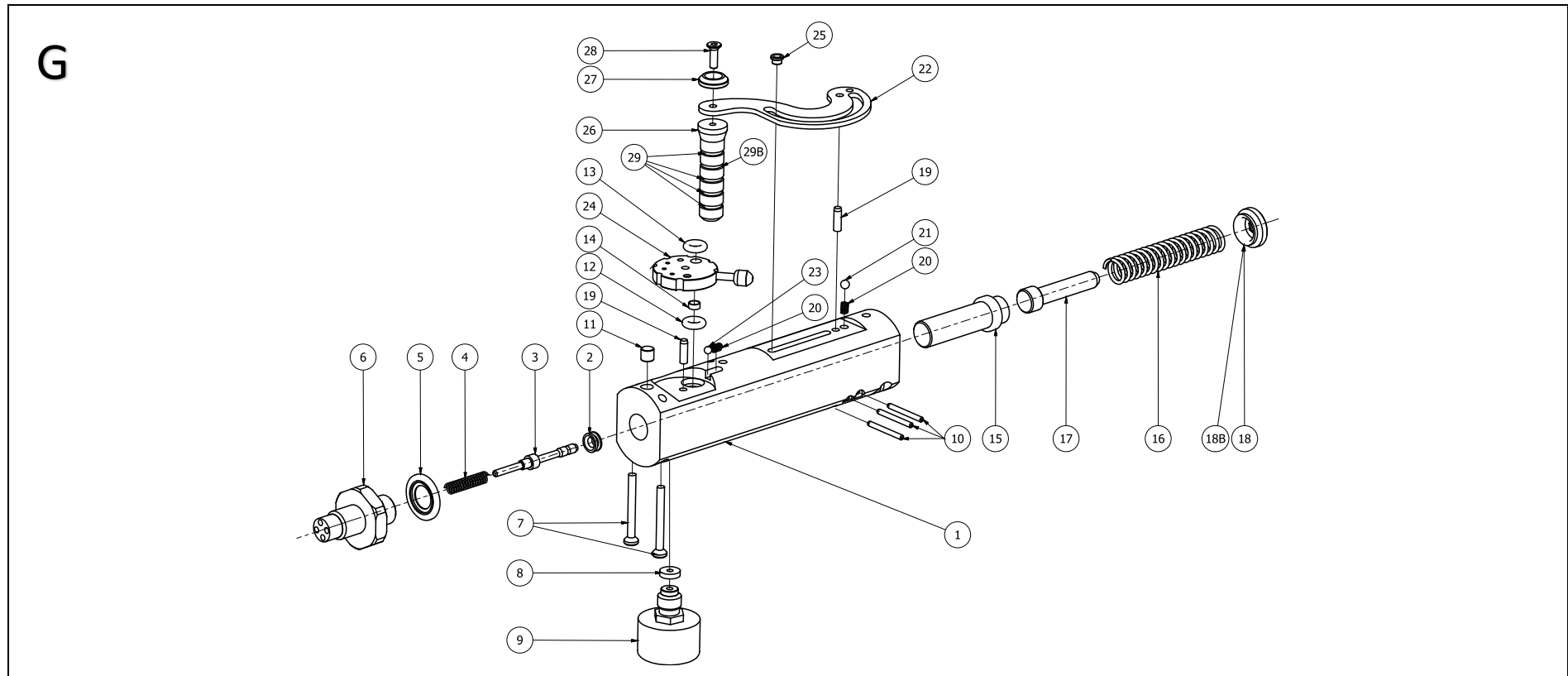


Model	Name	Article No.	Date	Revision	Revision date
Cutlas, Cyclone, Rancho	Repair kit Cy,Cu,Ra,	9009	2020-03-12		

CUTLAS



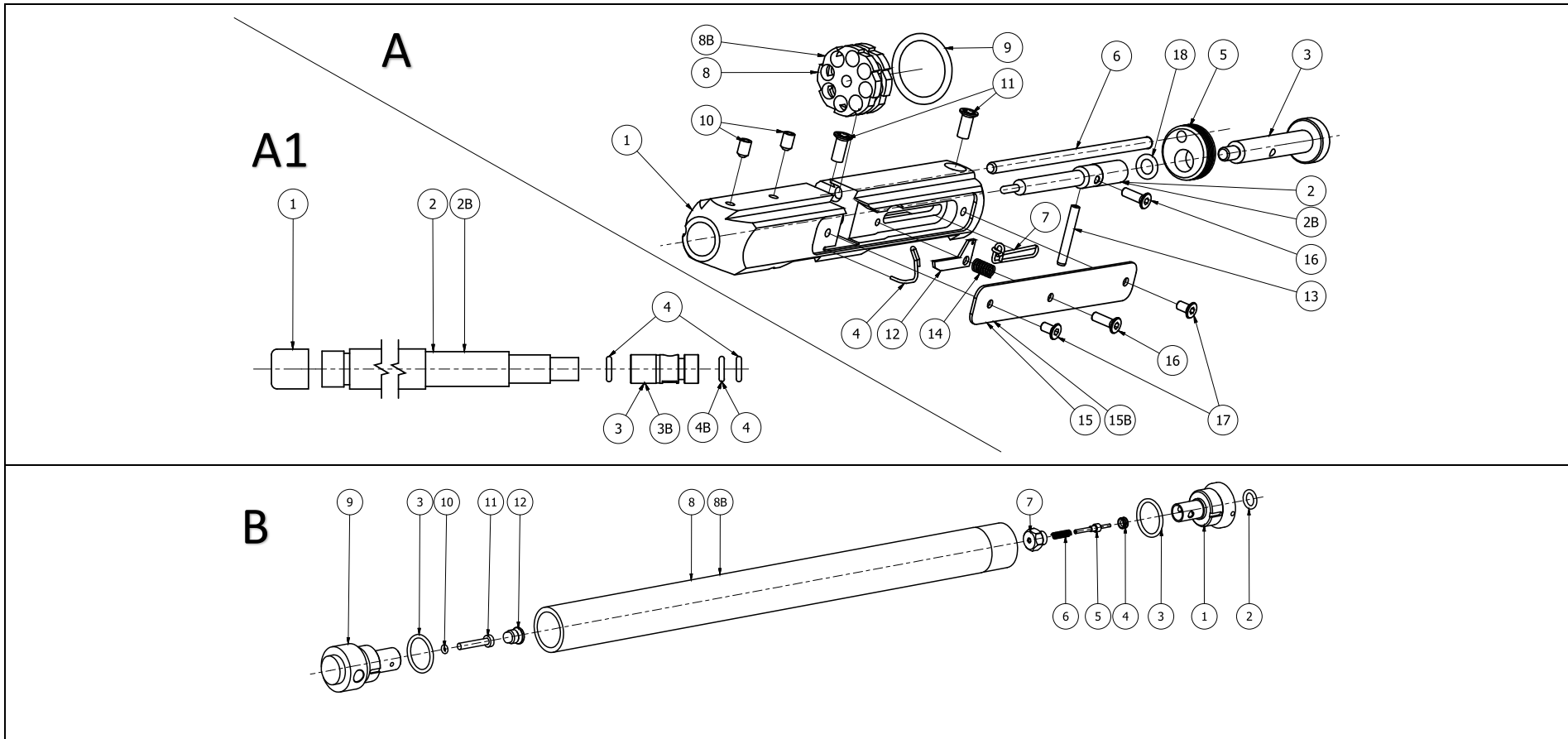
Model	Name	Article No.	Date	Revision	Revision date
Cutlas, Cyclone, Rancho	Repair kit Cy,Cu,Ra,	9009	2020-03-12		



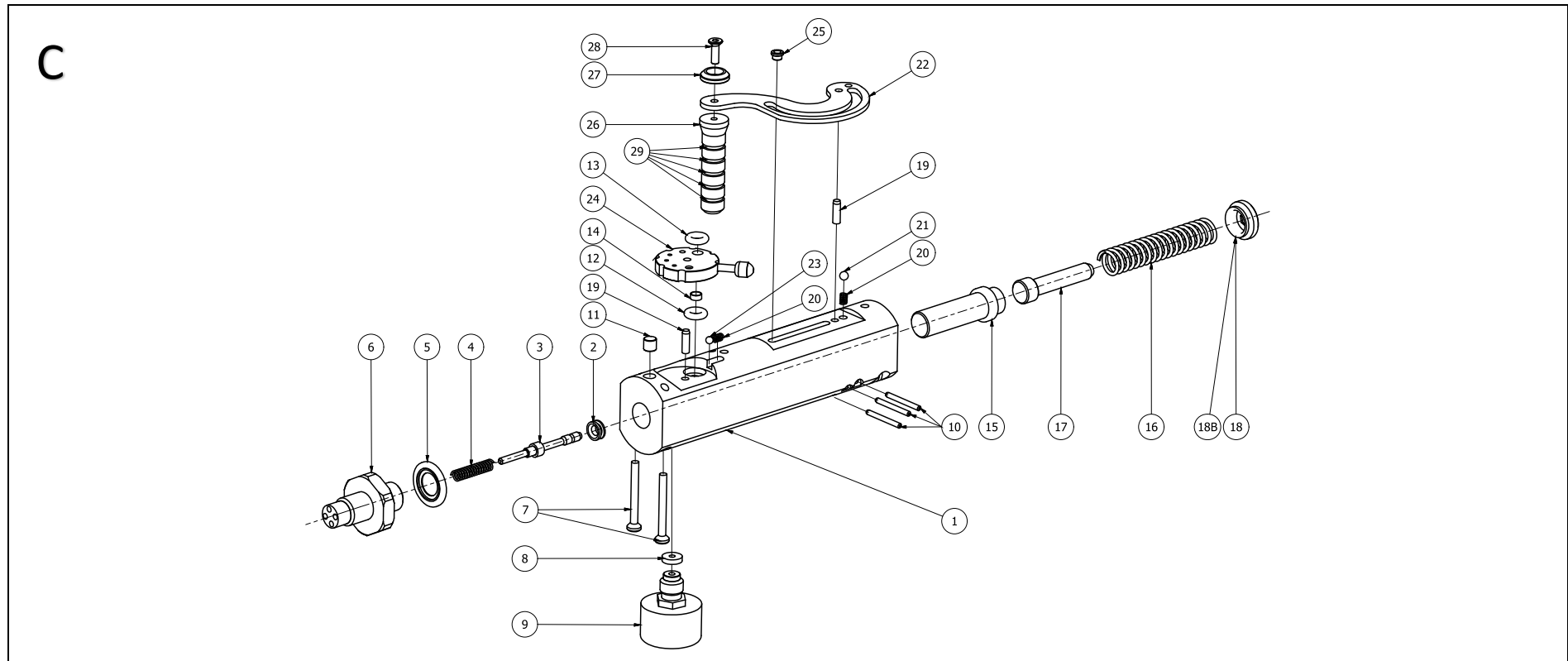
NO	ART. NO	DESCRIPTION	NO	ART. NO	DESCRIPTION	NO	ART. NO	DESCRIPTION
A5	5101	O-ring 20x2,5 NBR70	F2	11614	Washer			
B4	5112	O-ring 5,28x1,78 NBR70	F3	5107	O-ring 2,9 x 1,78 PUR 90			
B-4B	2529	O-ring 4,3x1,5 NBR70 (.177)	G2	7044	Valve Seat Complete			
C2	5105	O-ring 9,3x2,4 NBR90	G3	7035	Valve Pin V2 complete			
C3	11624	O-ring 22x2,5 NBR70	G5	11507	Rubber Steel Washer			
C4	7044	Valve Seat Complete	G12	1504	O-ring 4,42x2,62 NBR70			
C5	7018	Valve Pin Air Tube Complete	G13	11623	O-ring 4,42x2,62 NBR90			
D10	5107	O-ring 2,9x1,78 PUR90	G29	5112	O-ring 5,28x1,78 PUR70			
E2	11624	O-ring 22x2,5	G-29B	1504	O-ring 4,42x2,62 NBR70			
E3+E4	7045	Backvalve Complete						

Model	Name	Article No.	Date	Revision	Revision date
Cutlas, Cyclone, Rancho	Repair kit Cy,Cu,Ra,	9009	2020-03-12		

CYCLONE

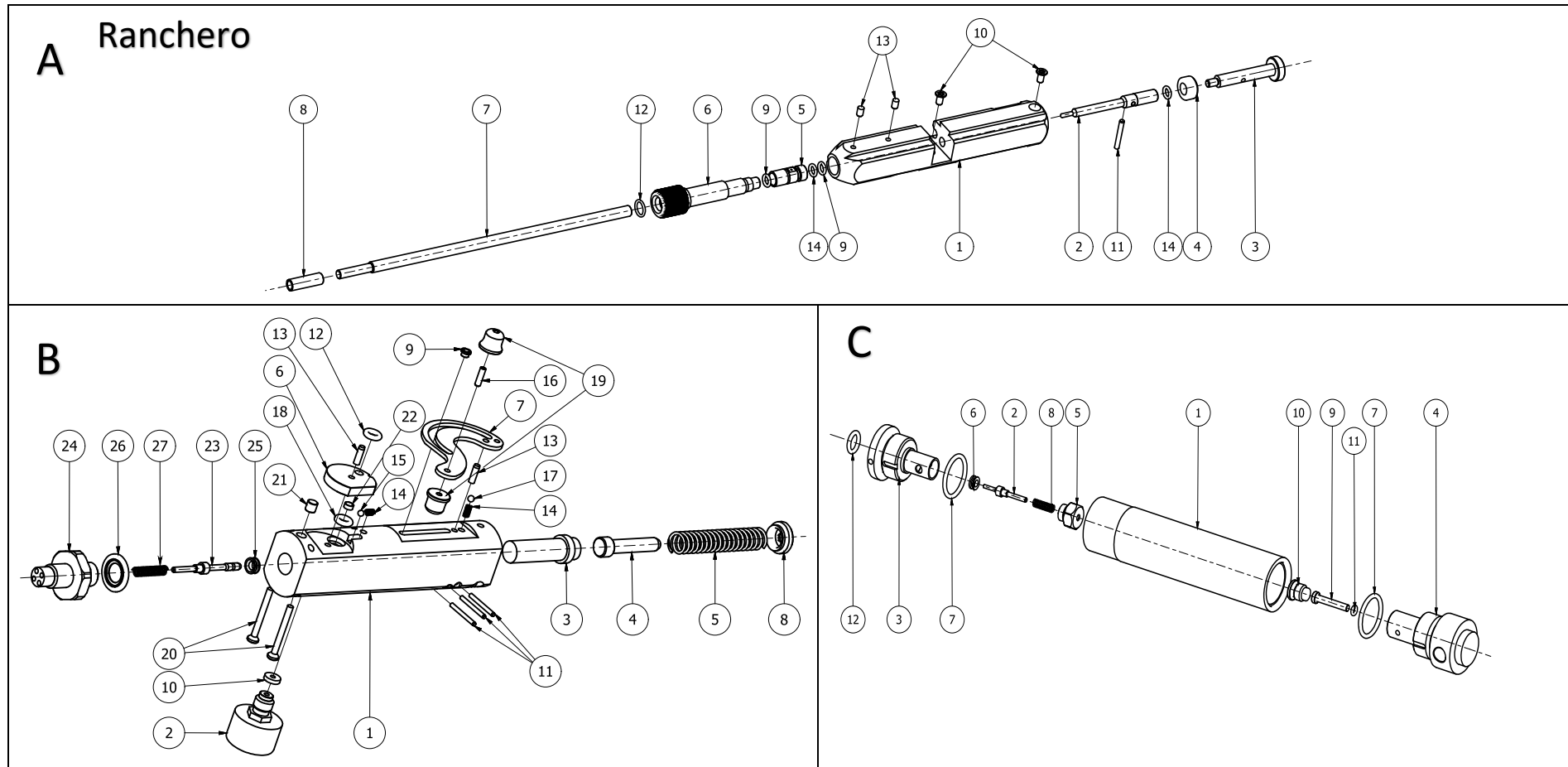


Model	Name	Article No.	Date	Revision	Revision date
Cutlas, Cyclone, Ranchero	Repair kit Cy,Cu,Ra,	9009	2020-03-12		



NO	ART. NO	DESCRIPTION	NO	ART. NO	DESCRIPTION	NO	ART. NO	DESCRIPTION
A9	5101	O-ring 20 x 2,5 NBR 70	C2	7044	Valve Seat Complete			
A18	5108	O-ring 5,28 x 1,78 PUR 70	C3	7035	Valve Pin V2 complete			
A1-4	5112	O-ring 5,28 x 1,78 NBR 70	C5	11507	Rubber/Steel washer M12			
A1-4B	2529	O-ring 4,3 x 1,5 NBR 70 (.177)	C12	1504	O-ring 4,42 x 2,62 NBR 70			
B2	5105	O-ring 9,3 x 2,4 NBR90	C29	5112	O-ring 5,28 x 1,78 PUR 70			
B3	11624	O-ring 22 x 2,5 NBR 70						
B4	7044	Valve Seat Complete						
B5	7018	Valve Pin Air Tube Complete						
B10	5107	O-ring 2,9 x 1,78 PUR 90						

Model	Name	Article No.	Date	Revision	Revision date
Cutlas, Cyclone, Rancho	Repair kit Cy,Cu,Ra,	9009	2020-03-12		



NO	ART. NO	DESCRIPTION	NO	ART. NO	DESCRIPTION
A9	5108	O-ring 5,28 x 1,78 NBR 70	C2	7018	Valve Pin For Air Tube Complete
A14	5112	O-ring 5,28 x 178 PUR 70	C6	7044	Valve Seat Complete
B12	11623	O-ring 4,42 x 2,62 NBR 90	C7	11624	O-ring 22 x 2,5 NBR 70
B18	1504	O-ring 4,42 x 2,62 NBR 70	C11	5107	O-ring 2,9 x 1,78 PUR 90
B23	7035	Valve Pin V2 complete			
B25	7044	Valve Seat Complete			
B26	11507	Rubber/Steel Washer			