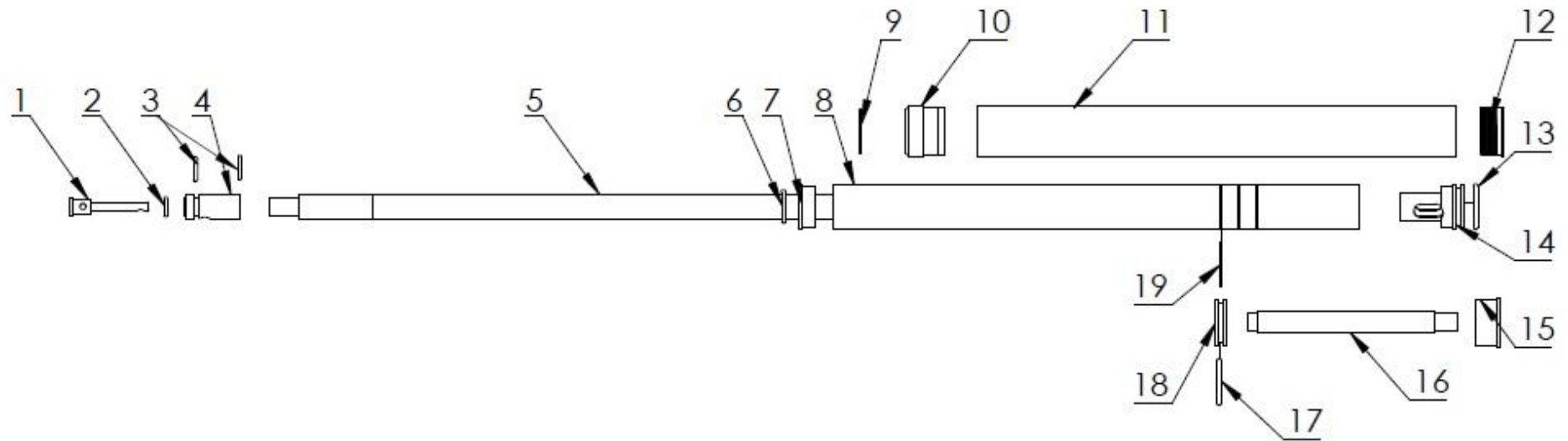
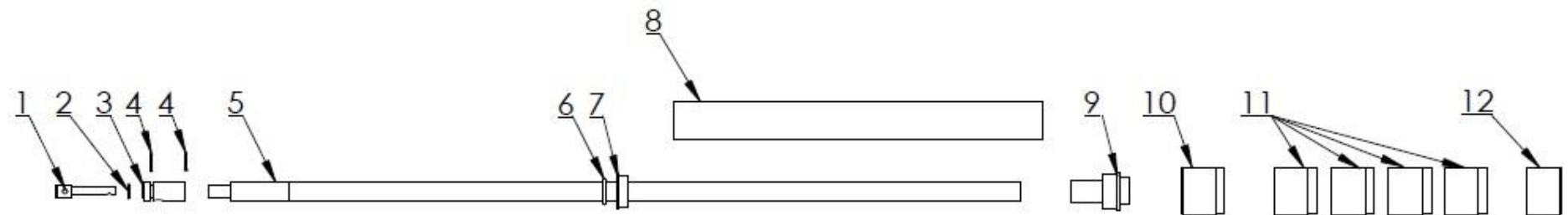


Model	Other model names	Date	Revision	Revision date
Barrel kit Impact		2018-06-20	EN.20.01	2020-04-07

A



B



Model	Other model names	Date	Revision	Revision date
Barrel kit Impact		2018-06-20	EN.20.01	2020-04-07

NO	ART. NO	DESCRIPTION	NO	ART. NO	DESCRIPTION
A1-4.5	19641	Pellet probe Impact .177	A17-4.5, 5.5	5101	O-ring 20 x 2,5 NBR 70
A1-5.5	19620	Pellet probe Impact .22	A18-4.5, 5.5	19747	Muzzle stabilizer
A1-6.35	19621	Pellet probe Impact .25	A19	19675	Delrin ring stop
A1-7.62	19619	Pellet probe Impact .30			
A2-4.5	2529	O-ring 4,3 x 1,5 NBR 70	B1-6.35	19621	Pellet probe Impact .25
A2-5.5	19726	O-ring 5,5 x 1,5 NBR 70	B1-7.62	19619	Pellet probe Impact .30
A2-6.35	4526	O-ring 6,4 x 1,3 NBR 70	B2-6.35	4526	O-ring 6,4 x 1,3 NBR 70
A2-7.62	19209	O-ring 7,5x1,5 NBR 70	B2-7.62	19209	O-ring 7,5x1,5 NBR 70
A3	19703	O-ring 10 x 2 NBR 70	B3	19703	O-ring 10 x 2 NBR 70
A4-4.5	19628	Barrel inlet .177 Impact/Crown	B4-6.35	19670	Barrel inlet .25 Impact/Crown
A4-5.5	19629	Barrel inlet .22 Impact/ Crown	B4-7.62	19671	Barrel inlet .30 Impact/Crown
A4-6.35	19670	Barrel inlet .25 Impact/Crown	B5-6.35	19707	Barrel 6,35-14-600 Impact
A4-7.62	19671	Barrel inlet .30 Impact/Crown	B5-7.62	19708	Barrel 7,62-14-600 Impact
A5-4.5	19744	Barrel 4,50-14-485 Impact	B6	12045	O-ring 13,95x2,62
A5-5.5	19706	Barrel 5,50-14-485 Impact	B7	19737	Shroud Bushing Impact
A5-6.35	19707	Barrel 6,35-14-600 Impact	B8	19692	270mm Shroud for Impact
A5-7.62	19708	Barrel 7,62-14-600 Impact	B9-6.35	19750	Compensator fixed 6,35
A6	12045	O-ring 13,95x2,62	B9-7.62	19739	Compensator fixed 7,62
A7	19640	25mm end for telescopic shroud M23x1	B10	19687	Shroud Start 3 35mm Impact
A8-4.5, 5.5	19661	Telescopicshroud .22 Impact	B11	19688	Shroud Midpart Impact 35mm
A8-6.35, 7.62	19660	Telescopicshroud .25/.30 Impact	B12-6.35	19663	Shroud endcap .25 35mm
A9	19732	O-ring 25x1 NBR 70	B12-7.62	19664	Shroud endcap .30 35mm
A10	19658	Shroudstop 28mm			
A11	19692	270mm Shroud for Impact			
A12-6.35	19655	Impactmuzzle 8,0			
A2-7.62	19656	Impactmuzzle 9,0			
A13	5113	O-ring 20,24x2,62			
A14-4.5	19657	Compensator teleshroud			
A14-5.5	19657	Compensator teleshroud			
A14-6.35	19625	Compensator teleshroud			
A14-7.62	19626	Compensator teleshroud			
A15-4.5, 5.5	19733	Impact muzzel .177-.22			
A16-4.5, 5.5	19746	Muzzle extender			