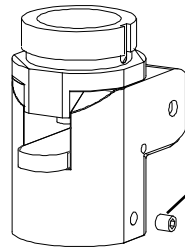
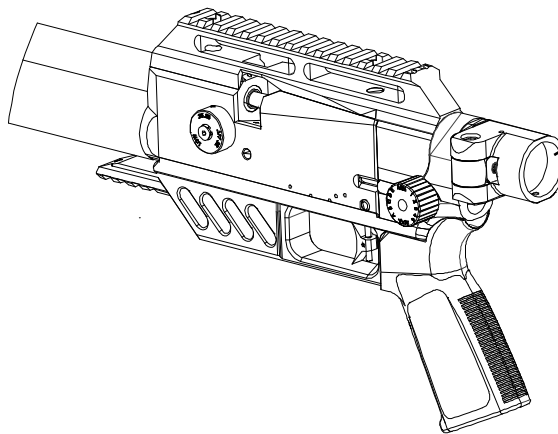


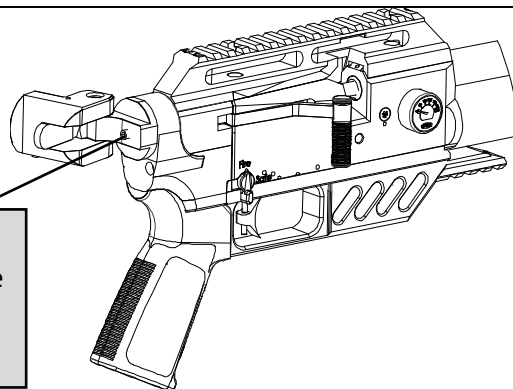
FOLDING STOCK ADAPTOR



Remove the grub screw.



Screw the folding stock adaptor to the rifle as shown in the picture.



Open the folding stock adaptor and tighten the grub screw to secure the adaptor.

Tighten this screw if necessary.

Screw the stock on to the adaptor

Secure the stock with the grub screw.

