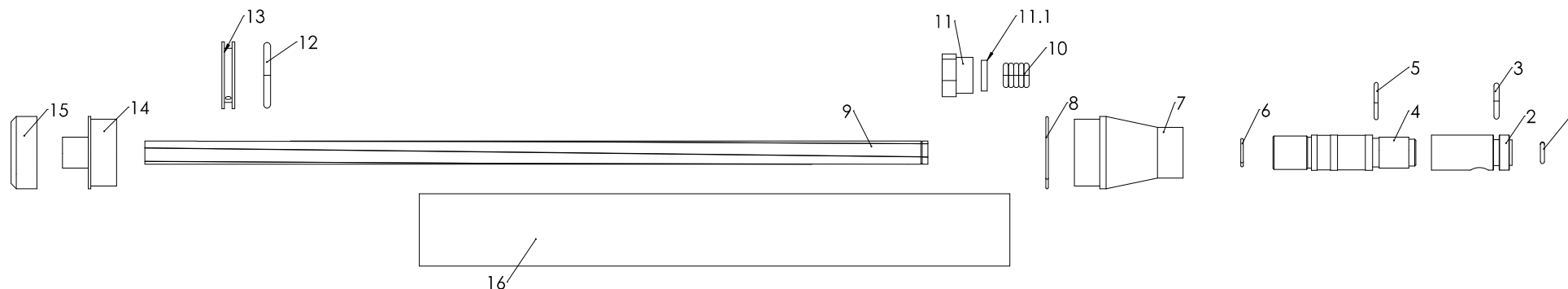


Model	Other model names	Date	Revision	Revision date
Tube kit Superlight Crown		2020-08-19	EN.	-



Tube kit Superlight Crown .177, 500mm, Art.No. 20221				Tube kit Superlight Crown .22, 380mm, Art.No. 20222				Tube kit Superlight Crown .22 500mm, Art.No. 20223			
NO	DESCRIPTION	ART.NO.	QTY	NO	DESCRIPTION	ART.NO.	QTY	NO	DESCRIPTION	ART.NO.	QTY
1	O-ring 4,3 x 1,5 NBR 70	2529	1	1	O-ring 5,5 x 1,5 NBR 70	19726	1	1	O-ring 5,5 x 1,5 NBR 70	19726	1
2	Barrel inlet .177 Impact/Crown	19628	1	2	Barrel inlet .22 Impact/ Crown	19629	1	2	Barrel inlet .22 Impact/ Crown	19629	1
3	O-ring 10x2 NBR 70	19703	1	3	O-ring 10x2 NBR 70	19703	1	3	O-ring 10x2 NBR 70	19703	1
4	Barrel Attachment .177	19960	1	4	Barrel attachment .22	19961	1	4	Barrel attachment .22	19961	1
5	O-ring 10x2 NBR 70	19703	1	5	O-ring 10x2 NBR 70	19703	1	5	O-ring 10x2 NBR 70	19703	1
6	O-ring 7x1 NBR 70	19837	1	6	O-ring 8x1 NBR 70	19117	1	6	O-ring 8x1 NBR 70	19117	1
7	Cone Crown Compact	19993	1	7	Cone Crown Compact	19993	1	7	Cone Crown Compact	19993	1
8	O-ring 23 x 1 NBR 90	5100	1	8	O-ring 23 x 1 NBR 90	5100	1	8	O-ring 23 x 1 NBR 90	5100	1
9	STX Liner .177 500mm	19964	1	9	STX Liner .22 380mm Superior	20188	1	9	STX Liner .22 500mm Superior	19965	1
10	O-ring 6,02x2,62 NBR 70	19958	5	10	O-ring 5,23x2,62 NBR 70	19952	5	10	O-ring 5,23x2,62 NBR 70	19952	5
11	Liner nut 7mm	20167	1	11	Liner nut 8mm	20168	1	11	Liner nut 8mm	20168	1
12	O-ring 20,24 x 2,62 NBR 70	5113	2	12	O-ring 20,24 x 2,62 NBR 70	5113	2	12	O-ring 20,24 x 2,62 NBR 70	5113	2
13	Liner Supports 7mm yd 25,9	20171	2	13	Liner Supports 8mm yd 25,9	20172	2	13	Liner Supports 8mm yd 25,9	20172	2
14	Adaptor UNF Crown Compact 7,2mm	19994-1	1	14	Adaptor UNF Crown Compact 7,2mm	19994-1	1	14	Adaptor UNF Crown Compact 7,2mm	19994-1	1
15	Muzzle-Thread Cover	20176	1	15	Muzzle-Thread Cover	20176	1	15	Muzzle-Thread Cover	20176	1
16	Shroud 447mm Extreme	19142	1	16	Shroud 28x338mm Continuum	20165	1	16	Shroud 447mm Extreme	19142	1



Model	Other model names	Date	Revision	Revision date
Tube kit Superlight Crown		2020-08-19	EN.	-

Tube kit Superlight Crown .22, 600mm, Art.No. 20224				Tube kit Superlight Crown .22, 700mm, Art.No. 20225				Tube kit Superlight Crown .25, 380mm, Art.No. 20226			
NO	DESCRIPTION	ART.NO.	QTY	NO	DESCRIPTION	ART.NO.	QTY	NO	DESCRIPTION	ART.NO.	QTY
1	O-ring 5,5 x 1,5 NBR 70	19726	1	1	O-ring 5,5 x 1,5 NBR 70	19726	1	1	O-ring 6,35 x 1,27 NBR 70	2575	1
2	Barrel inlet .22 Impact/ Crown	19629	1	2	Barrel inlet .22 Impact/ Crown	19629	1	2	Barrel inlet .25 Impact/Crown	19670	1
3	O-ring 10x2 NBR 70	19703	1	3	O-ring 10x2 NBR 70	19703	1	3	O-ring 10x2 NBR 70	19703	1
4	Barrel attachment .22	19961	1	4	Barrel attachment .22	19961	1	4	Barrel Attachment .25	19962	1
5	O-ring 10x2 NBR 70	19703	1	5	O-ring 10x2 NBR 70	19703	1	5	O-ring 10x2 NBR 70	19703	1
6	O-ring 8x1 NBR 70	19117	1	6	O-ring 8x1 NBR 70	19117	1	6	O-ring 9x1 NBR 70	19954	1
7	Cone Crown Compact	19993	1	7	Cone Crown Compact	19993	1	7	Cone Crown Compact	19993	1
8	O-ring 23 x 1 NBR 90	5100	1	8	O-ring 23 x 1 NBR 90	5100	1	8	O-ring 23 x 1 NBR 90	5100	1
9	STX Liner .22 600mm Superior	20011	1	9	STX Liner .22 700mm Superior	20204	1	9	STX Liner .25 380mm Superior	20189	1
10	O-ring 5,23x2,62 NBR 70	19952	5	10	O-ring 5,23x2,62 NBR 70	19952	5	10	O-ring 5,5x2 NBR 70	19953	7
11	Liner nut 8mm	20168	1	11	Liner nut 8mm	20168	1	11	Liner nut 9mm	20169	1
12	O-ring 20,24 x 2,62 NBR 70	5113	3	12	O-ring 20,24 x 2,62 NBR 70	5113	3	12	O-ring 20,24 x 2,62 NBR 70	5113	2
13	Liner Supports 8mm yd 25,9	20172	3	13	Liner Supports 8mm yd 25,9	20172	3	13	Liner Supports 9mm yd 25,9	20173	2
14	Adaptor UNF Crown Compact 7,2mm	19994-1	1	14	Adaptor UNF Crown Compact 7,2mm	19994-1	1	14	Adaptor UNF Crown Compact 8,6mm	19994	1
15	Muzzle-Thread Cover	20176	1	15	Muzzle-Thread Cover	20176	1	15	Muzzle-Thread Cover	20176	1
16	Shroud 562mm	19975	1	16	Shroud 28x675mm Continium	20150	1	16	Shroud 28x338mm Continium	20165	1

Tube kit Superlight Crown .25, 500mm, Art.No. 20227				Tube kit Superlight Crown .25, 600mm, Art.No. 20228				Tube kit Superlight Crown .25, 700mm, Art.No. 20229			
NO	DESCRIPTION	ART.NO.	QTY	NO	DESCRIPTION	ART.NO.	QTY	NO	DESCRIPTION	ART.NO.	QTY
1	O-ring 6,35 x 1,27 NBR 70	2575	1	1	O-ring 6,35 x 1,27 NBR 70	2575	1	1	O-ring 6,35 x 1,27 NBR 70	2575	1
2	Barrel inlet .25 Impact/Crown	19670	1	2	Barrel inlet .25 Impact/Crown	19670	1	2	Barrel inlet .25 Impact/Crown	19670	1
3	O-ring 10x2 NBR 70	19703	1	3	O-ring 10x2 NBR 70	19703	1	3	O-ring 10x2 NBR 70	19703	1
4	Barrel Attachment .25	19962	1	4	Barrel Attachment .25	19962	1	4	Barrel Attachment .25	19962	1
5	O-ring 10x2 NBR 70	19703	1	5	O-ring 10x2 NBR 70	19703	1	5	O-ring 10x2 NBR 70	19703	1
6	O-ring 9x1 NBR 70	19954	1	6	O-ring 9x1 NBR 70	19954	1	6	O-ring 9x1 NBR 70	19954	1
7	Cone Crown Compact	19993	1	7	Cone Crown Compact	19993	1	7	Cone Crown Compact	19993	1
8	O-ring 23 x 1 NBR 90	5100	1	8	O-ring 23 x 1 NBR 90	5100	1	8	O-ring 23 x 1 NBR 90	5100	1
9	STX Liner .25 500mm Superior	19976	1	9	STX Liner .25 600mm Superior	19966	1	9	STX Liner .25 700mm Superior	19977	1
10	O-ring 5,5x2 NBR 70	19953	7	10	O-ring 5,5x2 NBR 70	19953	7	10	O-ring 5,5x2 NBR 70	19953	7
11	Liner nut 9mm	20169	1	11	Liner nut 9mm	20169	1	11	Liner nut 9mm	20169	1
12	O-ring 20,24 x 2,62 NBR 70	5113	2	12	O-ring 20,24 x 2,62 NBR 70	5113	3	12	O-ring 20,24 x 2,62 NBR 70	5113	3
13	Liner Supports 9mm yd 25,9	20173	2	13	Liner Supports 9mm yd 25,9	20173	3	13	Liner Supports 9mm yd 25,9	20173	3
14	Adaptor UNF Crown Compact 8,6mm	19994	1	14	Adaptor UNF Crown Compact 8,6mm	19994	1	14	Adaptor UNF Crown Compact 8,6mm	19994	1
15	Muzzle-Thread Cover	20176	1	15	Muzzle-Thread Cover	20176	1	15	Muzzle-Thread Cover	20176	1
16	Shroud 447mm Extreme	19142	1	16	Shroud 562mm	19975	1	16	Shroud 28x675mm Continium	20150	1



Model	Other model names	Date	Revision	Revision date
Tube kit Superlight Crown		2020-08-19	EN.	-

Tube kit Superlight Crown .30, 380mm, Art.No. 20280				Tube kit Superlight Crown .30, 600mm, Art.No. 20230				Tube kit Superlight Crown .30, 700mm, Art.No. 20231			
NO	DESCRIPTION	ART.NO.	QTY	NO	DESCRIPTION	ART.NO.	QTY	NO	DESCRIPTION	ART.NO.	QTY
1	O-ring 7,5x1,5 NBR 70	19209	1	1	O-ring 7,5x1,5 NBR 70	19209	1	1	O-ring 7,5x1,5 NBR 70	19209	1
2	Barrel inlet .30 Impact/Crown	19671	1	2	Barrel inlet .30 Impact/Crown	19671	1	2	Barrel inlet .30 Impact/Crown	19671	1
3	O-ring 10x2 NBR 70	19703	1	3	O-ring 10x2 NBR 70	19703	1	3	O-ring 10x2 NBR 70	19703	1
4	Barrel Attachment .30	19963	1	4	Barrel Attachment .30	19963	1	4	Barrel Attachment .30	19963	1
5	O-ring 11x1,5 NBR70	19210	1	5	O-ring 11x1,5 NBR70	19210	1	5	O-ring 11x1,5 NBR70	19210	1
6	O-ring 10x1 NBR70	19145	1	6	O-ring 10x1 NBR70	19145	1	6	O-ring 10x1 NBR70	19145	1
7	Cone Crown Compact	19993	1	7	Cone Crown Compact	19993	1	7	Cone Crown Compact	19993	1
8	O-ring 23 x 1 NBR 90	5100	1	8	O-ring 23 x 1 NBR 90	5100	1	8	O-ring 23 x 1 NBR 90	5100	1
9	STX Liner .30 395mm Superior	20190	1	9	STX Liner .30 600mm Superior	19967	1	9	STX Liner .30 700mm Superior	19978	1
10	O-ring 5,85x1,78 NBR 70	19186	5	10	O-ring 5,85x1,78 NBR 70	19186	5	10	O-ring 5,85x1,78 NBR 70	19186	5
11	Liner nut 10mm	20170	1	11	Liner nut 10mm	20170	1	11	Liner nut 10mm	20170	1
11.1	Spacer 11.9x10.1x2.3	20195	1	11.1	Spacer 11.9x10.1x2.3	20195	1	11.1	Spacer 11.9x10.1x2.3	20195	1
12	O-ring 20,24 x 2,62 NBR 70	5113	2	12	O-ring 20,24 x 2,62 NBR 70	5113	3	12	O-ring 20,24 x 2,62 NBR 70	5113	3
13	Liner Supports 10mm yd 25,9	20174	2	13	Liner Supports 10mm yd 25,9	20174	3	13	Liner Supports 10mm yd 25,9	20174	3
14	Adaptor UNF Crown Compact 8,6mm	19994	1	14	Adaptor UNF Crown Compact 8,6mm	19994	1	14	Adaptor UNF Crown Compact 8,6mm	19994	1
15	Muzzle-Thread Cover	20176	1	15	Muzzle-Thread Cover	20176	1	15	Muzzle-Thread Cover	20176	1
16	Shroud 28x338mm Continuum	20165	1	16	Shroud 562mm	19975	1	16	Shroud 28x675mm Continuum	20150	1