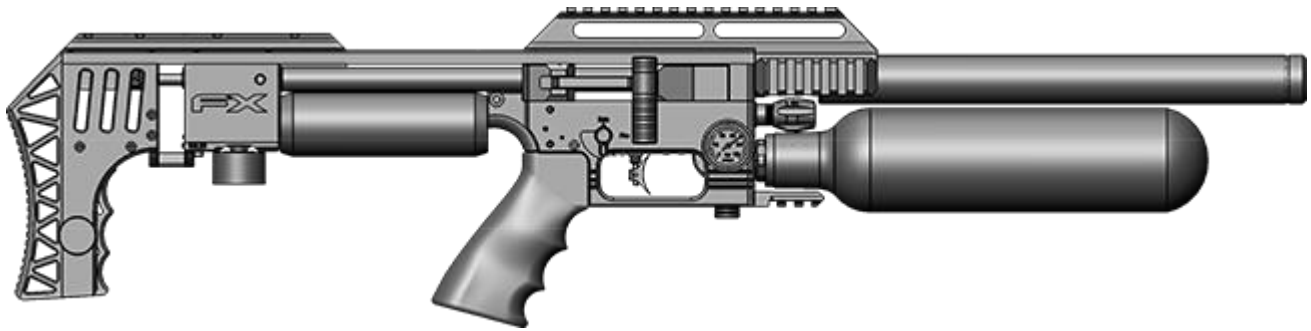
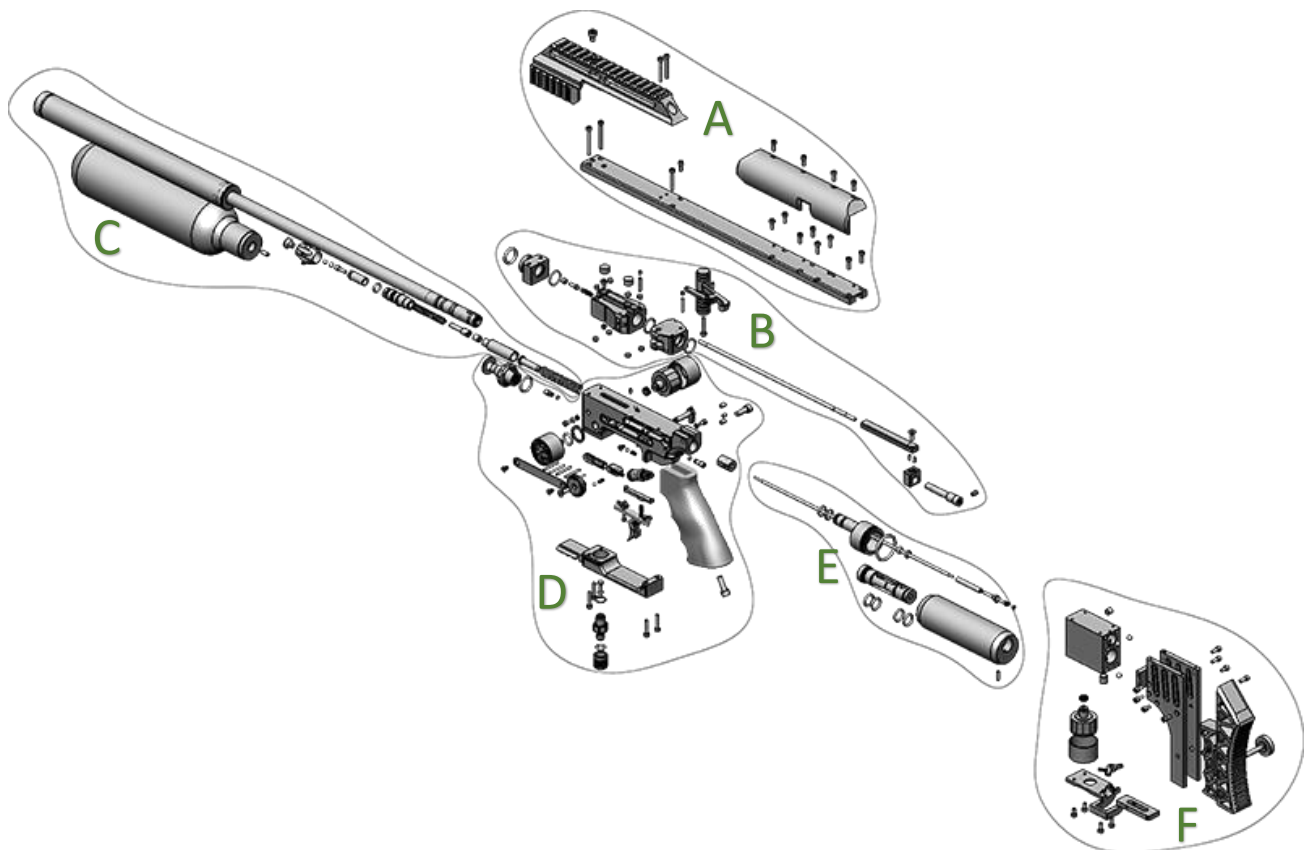
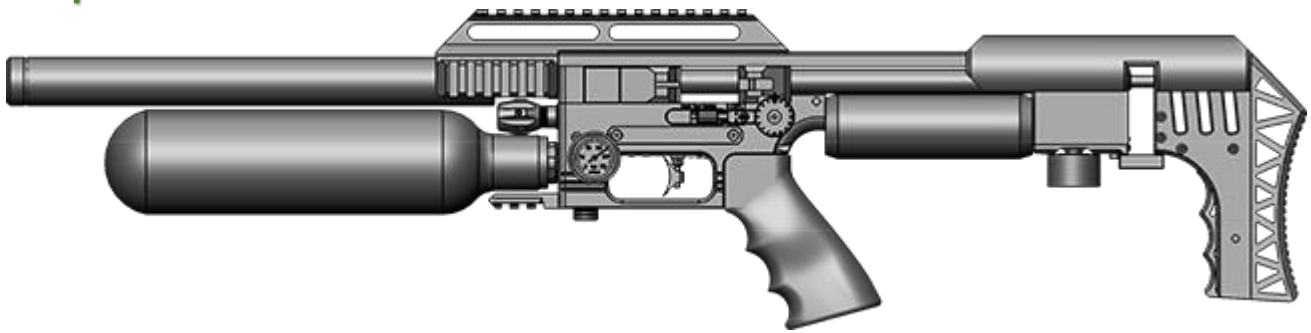


Model	Other model names	Date	Revision	Revision date
FX Impact M3		2021-04-14	EN.23.01	2023-09-25

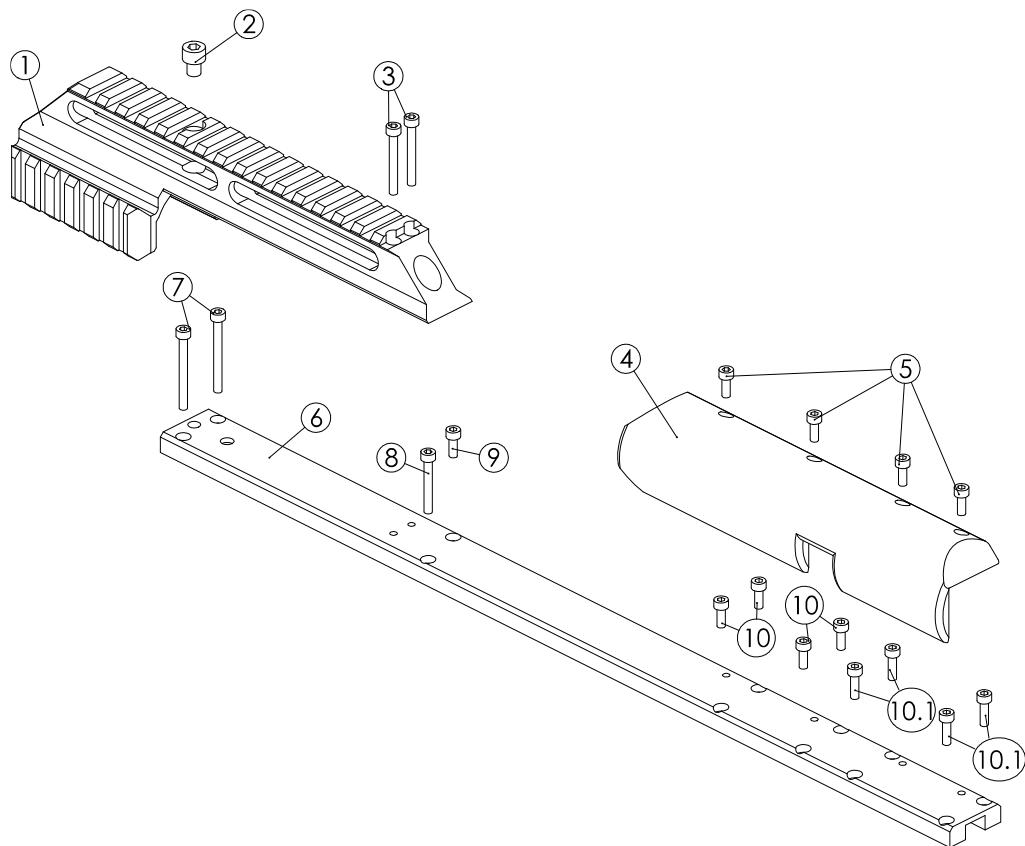


Impact M3

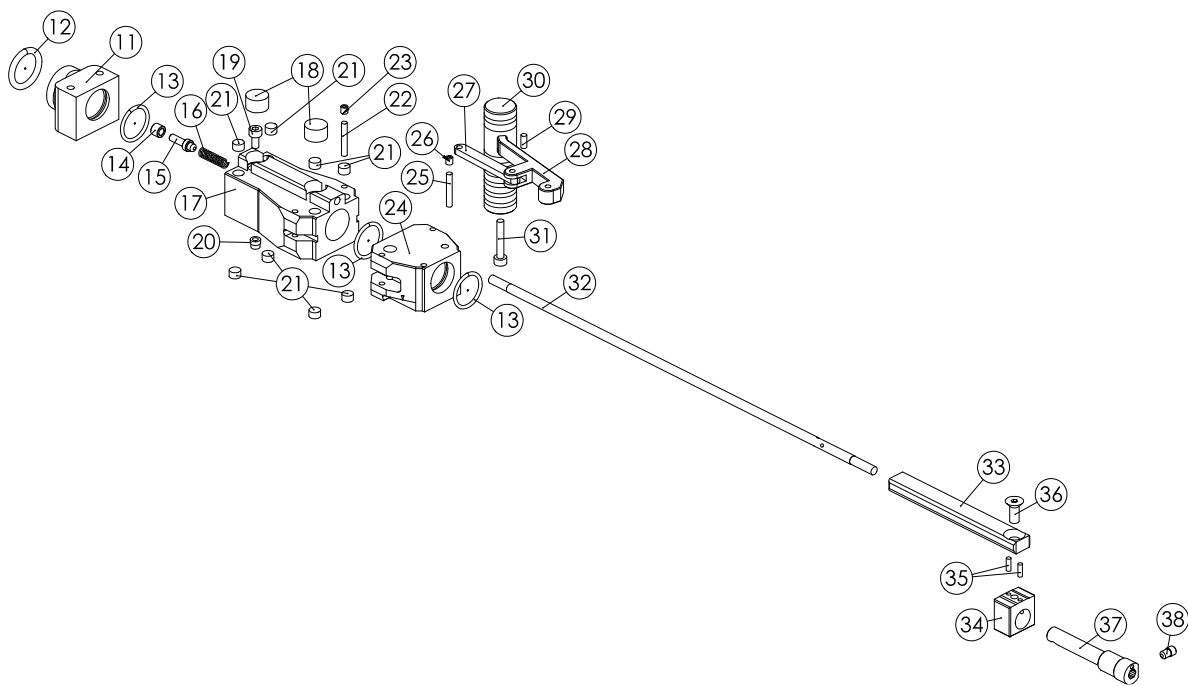


Model	Other model names	Date	Revision	Revision date
FX Impact M3		2021-04-14	EN.23.01	2023-09-25

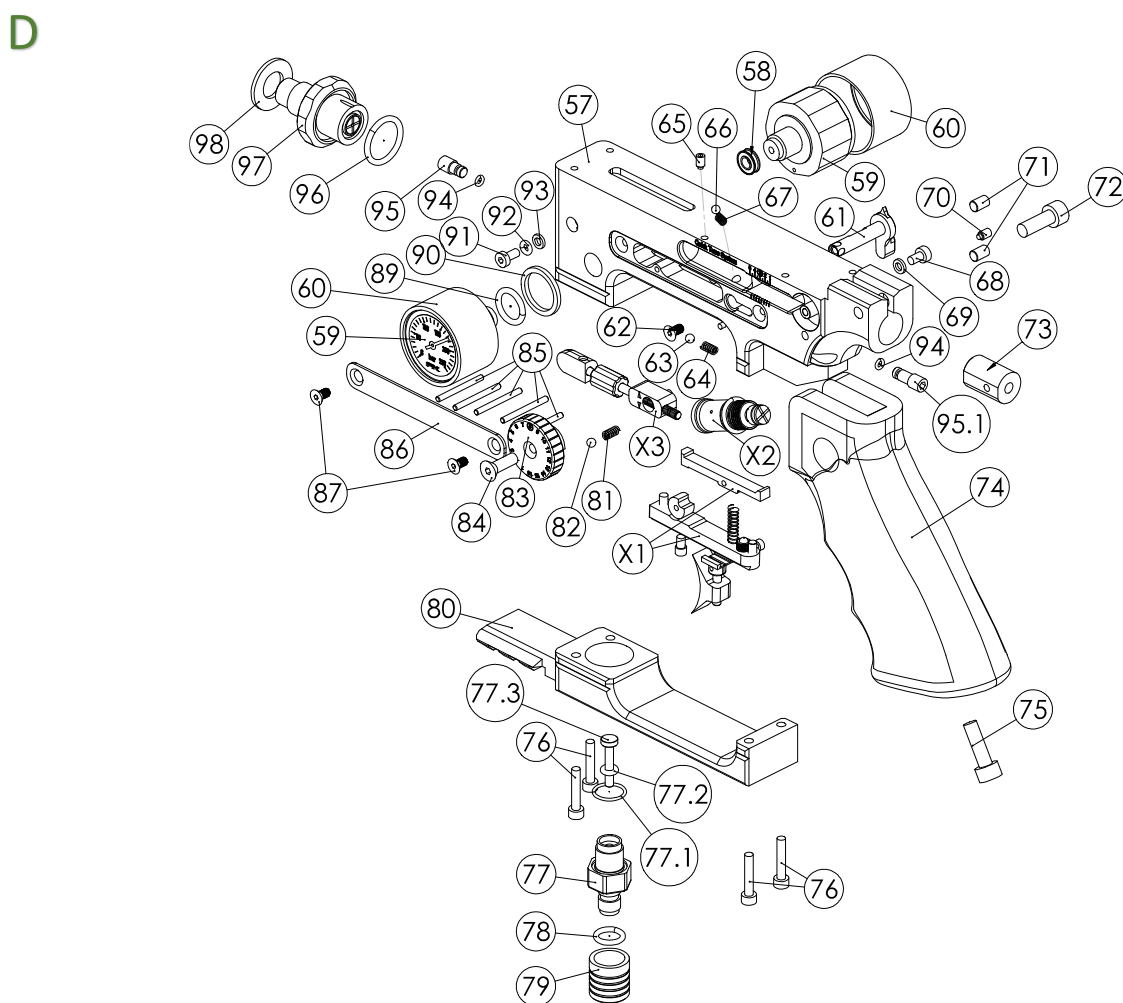
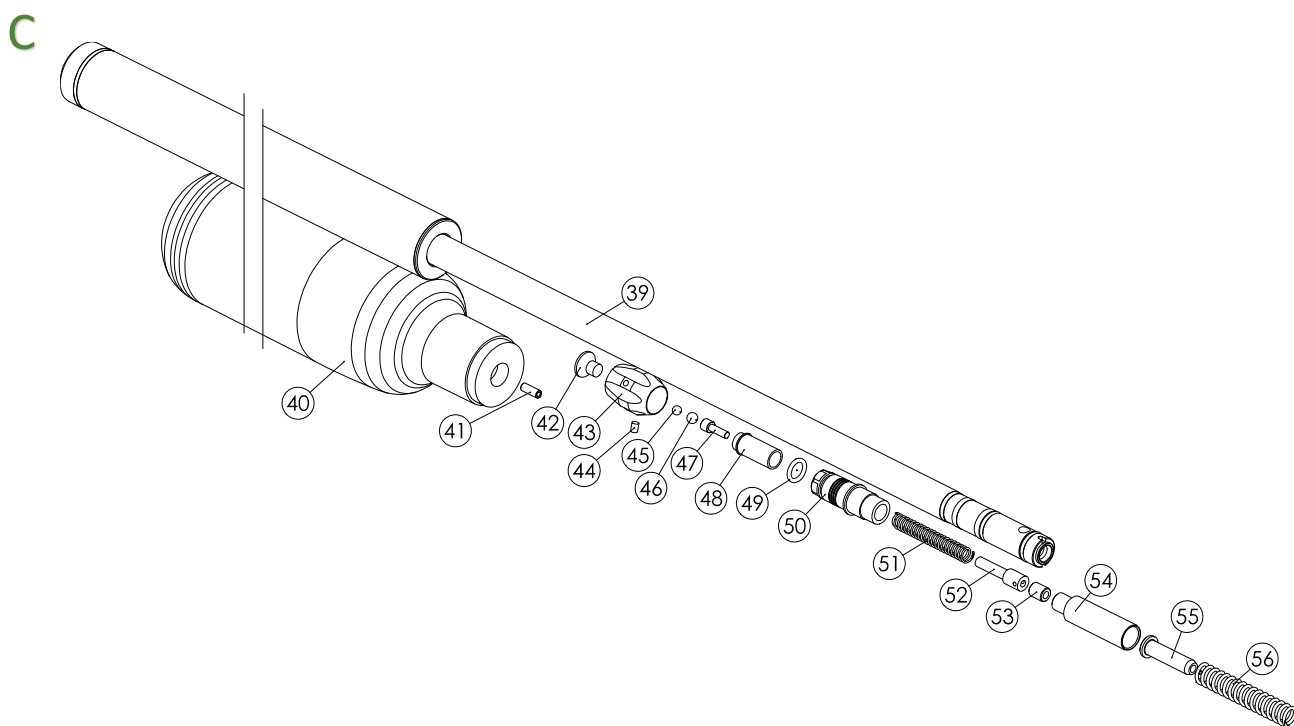
A



B

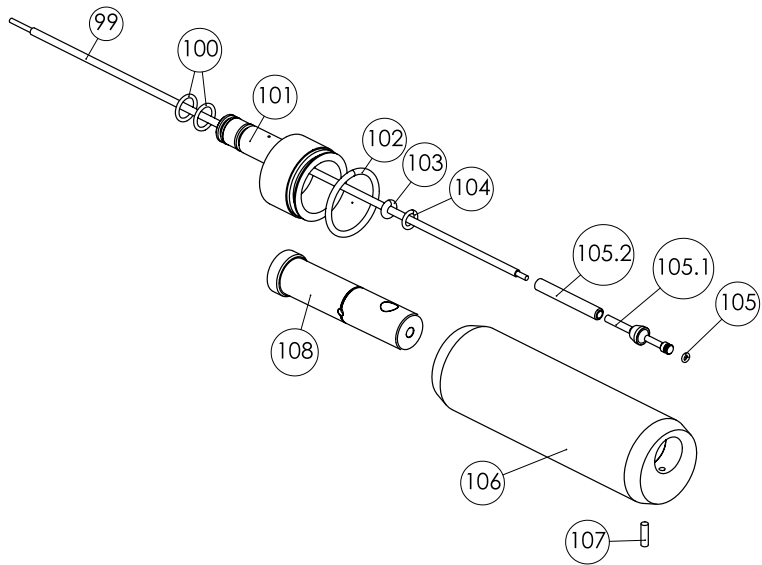


Model	Other model names	Date	Revision	Revision date
FX Impact M3		2021-04-14	EN.23.01	2023-09-25

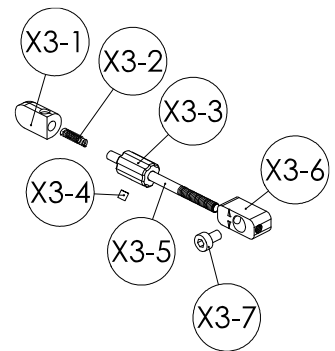
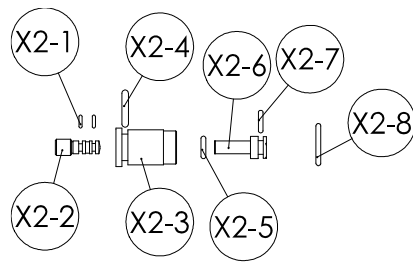
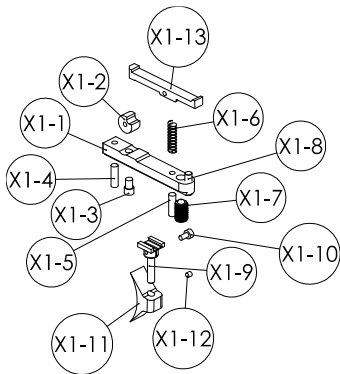
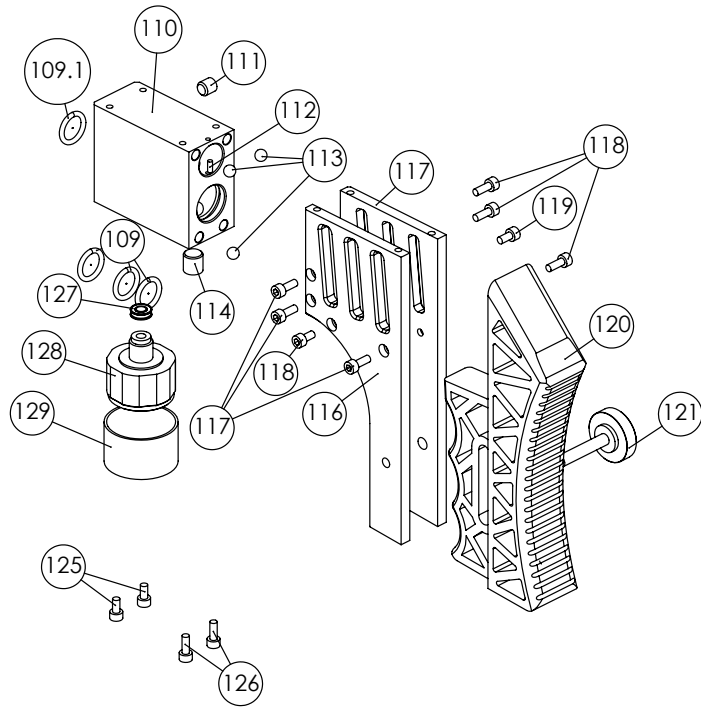


Model	Other model names	Date	Revision	Revision date
FX Impact M3		2021-04-14	EN.23.01	2023-09-25

E



F



Model	Other model names	Date	Revision	Revision date
FX Impact M3		2021-04-14	EN.23.01	2023-09-25

NO	ART. NO	DESCRIPTION	NO	ART. NO	DESCRIPTION
A1	19644	Rail Picatinny x3 Impact Black	D57	10287	Trigger block Impact M3 Black
A2	19684	Socket head cap screw M5x8	D57	10285	Trigger block Impact M3 Bronze
A3	2554	Socket head cap screw M3x25	D58	19762	X-ring 3,63x2,62 NBR 70
A4	19779	Cheek piece for Impact (january 2019)	D59	19775	Manometer 28mm with black cover
A5	12610	Socket head cap screw M3x8	D60	19776	Sleeve for manometer black Impact MKII
A6	19642	Guiding Plate Impact	D61	10336	Safety Impact M3
A7	11506	Socket head cap screw M3x30	D62	2504	Countersunk screw M3x6
A8	19740	Socket head cap screw M3x22	D63	4066	Steel ball 3mm
A9	12610	Socket head cap screw M3x8	D64	11501	Spring 0,5x2,5x6,1
A10	12610	Socket head cap screw M3x8	D65	2561	Dog point grub screw M3x5
A10.1	2527	Socket head cap screw M3x10	D66	4066	Steel ball 3mm
B11	10339	Rear Support Impact M3	D67	5565	Fjäder 0,32x2,5x4,8
B12	12045	O-ring 13.95x2.62 NBR 70	D68	19715	Socket head cap screw M3x5
B13	19718	O-ring 14x1,5 NBR 70	D69	19736	Plastic Washer 5,3x3,1x1
B14	10323	Sleeve spring pin Reloadingblock Impact M3	D70	2561	Dog point grub screw M3x5
B15	10322	Spring pin reloadingblock Impact M3	D71	2501	Grub screw M4x6
B16	17046	Spring 0,5x3,5x15	D72	4535	Socket head cap screw M5x14
B17	10299	Reloading block Impact M3	D73	19609	Spring holder Impact
B18	19653	Puck 9,9	D74	19710	Houge Grip Rubber AR15
B19	19713	Socket head cap screw M3x6	D75	19743	Socket head cap screw M6x20
B20	19676	Sleeve reloading	D76	19682	Socket head cap screw M3x16
B21	19652	Puck 5,0	D77	16303	Quick connector short
B22	3010	CPK 2,5m6x16	D77.1	19720	O-ring 10x1 NBR 90
B23	2562	Cup point grub screw M3x3	D77.2	5107	O-ring 2,9x1,78 PUR 90
B24	10300	Rear support Impact M3	D77.3	19005	Inlet valve rod - Blue
B25	3010	CPK 2,5m6x16	D78	4528	O-ring 7.66x1.78 NBR70
B26	2562	Cup point grub screw M3x3	D79	19910	Dust Cover - Quick Connection
B27	19021	Side lever linkage	D80	19689	Trigger guard Impact, black
B28	10340	Sidelever Impact M3	D81	11501	Spring 0,5x2,5x6,1
B29	19026	Cylindrical pin 2,5m6x6	D82	4066	Steel ball 3mm
B30	10301	Side lever handle Impact M3	D83	10310	Power adjuster Impact M3
B31	11060	Socket head cap screw M3x18	D84	2508	Countersunk screw M3x10
B32	19667	Reloading Bar	D85	19040	Cylindrical pin 2m6x23,5
B33	19612	Pellet probe guide	D86	19693	Impact sprinthead
B34	19614	Pellet probe holder	D87	2504	Countersunk screw M3x6
B35	19601	Cylindrical pin 2h6x6	D88	N/A	N/A
B36	2505	Countersunk screw m4x10	D89	5105	O-ring 9,3 x 2,4 NBR 90
B37	19641	Pellet probe Impact .177	D90	-	<i>Brass washer Impact M3, 1.7mm – 2.1mm</i>
B37	19620	Pellet probe Impact .22	D89	19703	O-ring 10x2 NBR 70
B37	19621	Pellet probe Impact .25	D90	-	<i>Brass washer Impact M3, 1.2mm – 1.6mm</i>
B37	19619	Pellet probe Impact .30	D91	7984	Socket head cap screw M3x6
B37	19798	Pellet probe Impact .35	D92	5120	O-ring 2,5 x 1,5 NBR 70
B38	19643	Grub screw, Feeding pin, M4,	D93	19736	Plastic Washer 5,3x3,1x1
C39	Support page	See schematic "Impact Barrel kit"	D94	19761	O-ring 2,2x1 NBR 70
C40	Support page	See schematic "Bottle"	D95	10335	Brass adapter Impact M3
C41	10290	Valve Pin Bushing Impact M3	D95.1	10335	Brass adapter Impact M3
C42	19717	Countersunk screw m6x8	D96	19950	O-ring 14x2 NBR 70
C43	10327	Valve adjuster knob Impact M3	D97	20540	Bottle connector Impact M3 cpl.
C44	16092	Grub screw M3x4	D98	11507	Rubber/Steel Washer
C45	19227	Rubber ball 4,0mm NBR75	E99	19647	Valverod
C46	5110	Rubberball 4,75 NBR75	E100	19763	O-ring 9x1,5 NBR90
C47	10325	Valve stop piston Impact M3	E101	10338	Valvetube End, Power Plenum Impact M3
C48	20277	Valve adjuster screw	E102	19105	O-ring 25,0x2,5 NBR 70
C49	19722	O-ring 9x1,5 NBR 70	E103	19768	O-ring 2.84x2.62 PUR90
C50	19616	Valvestop Impact	E104	19726	O-ring 5.5x1.5 NBR70
C51	1301	Spring 0,75x5,95x45	E105	19761	O-ring 2,2x1 NBR 70
C51	2602	<i>Spring 1x6,2x45 (harder spring on .22 sniper)</i>	E105.1	20275	Valvepin complete Impact, Power Plenum
C52	19604	Hammerseat	E105.2	19603	Valve nut impact
C52	20392-C	Hammerseat Impact .35 cpl	E106	10337	Valvetube Power Plenum Impact M3
C53	20272	Hammer Sleeve, Impact, Power Plenum	E107	11508	Grub screw M3x10
C54	20270	Hammer V2 Power Plenum	E108	19786	Valvehouse, Impact, Power Plenum
C55	20271	Hammer weight Power Plenum	E109	5154	O-ring 16,0x2,0 NBR90
C56	2604	Hammerspring 52mm	E109.1	19718	O-ring 14,0x1,5 NBR70

Model	Other model names	Date	Revision	Revision date
FX Impact M3		2021-04-14	EN.23.01	2023-09-25

F110	19698R3	Rear block Impact M3	X2-1	19731	O-ring 2x1 NBR 90
F111	19846	Grubb screw M6x6	X2-2	19695	Regulator Screw Impact
F112	19702	Cylindrical pin 2h6x5	X2-3	19697-1	Regulator house
F113	5110	Rubberball 4,75 NBR 75	X2-4	19225	O-ring 7,5x2 NBR70
F114	19224	Cup point grub screw M8x8	X2-5	19109	O-ring 4x1,5 NBR 70
F115	19606	Magazine holder Impact	X2-6	19696	Regulator piston (long) (May 2017>)
F116	19646	Left plate Impact	X2-7	19109	O-ring 4x1,5 NBR 70
F117	19645	Right plate Impact	X2-8	19790	O-ring 10x1,5 NBR90 <i>(inserted in trigger block D57)</i>
F118	12610	Socket head cap screw M3x8			
F119	19713	Socket head cap screw M3x6			
F120	19618	Recoilpad	X3-1	10293	Quick adjustment guide Impact M3
F121	19728	Adjustment Screw Recoilpad Impact	X3-2	1147	Spring 0,25X2,37X20
F122	20117	Magazine bracket Impact MkII	X3-3	10292	Quick adjustment wheel Impact M3
F123	20116	Locking arm Magazine bracket MkII	X3-4	12035	Grub screw M2,5x2,5
F124	16093	Spring 0,3x2x10	X3-5	10291	Quick adjustment axle Impact M3
F125	19713	Socket head cap screw M3x6	X3-6	19602	Hammer adjuster
F126	12610	Socket head cap screw M3x8	X3-7	19715	Socket head cap screw M3x5
F127	19762	X-ring 3,63x2,62 NBR 70			
F128	19775	Manometer 28mm with black cover			
F129	19776	Sleeve for manometer black Impact MKII			
X1-1	10302	Triggerbase Impact M3			
X1-2	11525	Triggerroll			
X1-3	19927	Screw trigger roll Crown			
X1-4	11508	Grub screw M3x10			
X1-5	11508	Grub screw M3x10			
X1-6	11504	Spring 0,32x3,2x14,4 v2.3			
X1-7	11015	Second stage trigger screw M5			
X1-8	11508	Grub screw M3x10			
X1-9	10346	Triggerpin Impact M3			
X1-10	19178	Screw M2x4			
X1-11	19136	Adjustable trigger blade			
X1-12	12035	Grub screw M2.5x2.5			
X1-13	19636	Triggersear			