

FX Chronograph Display

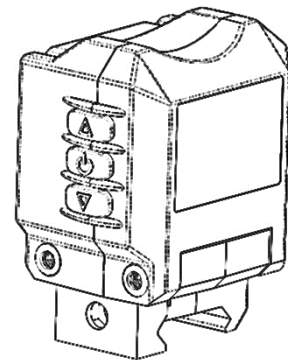


Quick Start

1. OVERVIEW

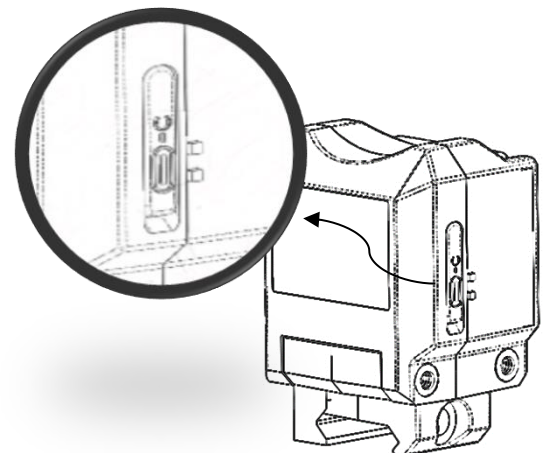
The power button for the display is located on the side of the device. Next to the power button, you will find two buttons that are used to access the settings menu.

To turn on the display, press the power button in the middle of the device. To turn it off, press and hold the power button. The display will automatically shut down after 15 minutes of inactivity to save power. This means that if you don't use the display for 15 minutes, it will turn off automatically to conserve its battery.



2. CHARGING

The display has a lithium ion battery that **should be charged** before using it for the first time. **Use the supplied USB-A to USB-C cable** to charge the battery. While the battery is charging, the LED lights on the side of the display will show the charging progress. A solid red light (only) means that the battery is almost empty, while a **solid green** light indicates that charging is complete. A flashing green light means that the battery level is more than 75%.



- If the device will not be used for an extended period of time, **it is recommended to store the device with a charge of 75%.**
- **Avoid fully discharging the battery**, as this can shorten its overall lifespan.
- If the battery has not been used for a long period of time, it may need to be charged and discharged a few times to reach its full capacity.
- Avoid charging the device in extreme temperatures, as this can also damage the battery.
- Avoid storing the device in a place with extreme temperatures, as this can also damage the battery.

It is generally recommended to store lithium ion batteries at a temperature between 15°C (59°F) and 25°C (77°F). Storing the battery at a temperature outside of this range can damage the battery and shorten its lifespan.

It is also important to avoid exposing the battery to extreme temperatures, both high and low, during use. For example, do not leave the device in a hot car or in direct sunlight for an extended period of time, as this can cause the battery to overheat and become damaged. Similarly, do not use the device in extremely cold temperatures, as this can also damage the battery.

3. ATTACHING DISPLAY TO THE GUN

The display can be mounted on a **picatinny rail** or under the scope on an FX Impact.

To mount the display on an FX Impact, use an allen key to remove the picatinny rail mount from the bottom of the display (there are four screws that hold it in place). When you're ready to mount the display on the FX Impact, gently tighten the screws to secure it in place. Make sure not to overtighten the screws, as this could damage the rifle.



4. USAGE

MAIN SCREEN

After you turn the unit on, the display will **automatically attempt to connect to a Pocket Chronograph** if one is within range. Please note that only one device (the display or a phone) can be connected to a Pocket Chronograph at a time.

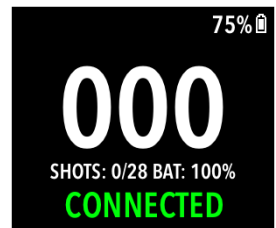
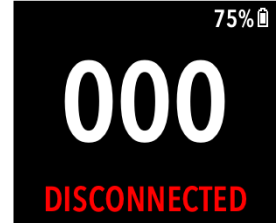
(Firmware version 1.18) If the Pocket Chronograph is turned off after the connection has been established, the display will wait for it to be turned back on and will not accept connections from any other Pocket Chronographs (i.e., it will not engage in "pairing" with other devices). To connect to a different Pocket Chronograph, you will need to turn the display off and then back on.

If there are multiple Pocket Chronographs in Bluetooth range, the display will automatically connect to the one with the strongest signal, i.e., the one that is closest to the display.

When the display is successfully connected to a Pocket Chronograph, it will show the **battery level of the Pocket Chronograph** above the "Connected" text on the screen.

The **shot count** is stored internally on the display and will not be reset if the Pocket Chronograph is turned off and on again, for example. To reset the shot counter, tap the power button on the display. This will reset the shot counter to zero.

(Firmware version 1.17) It is important to note that the Display will always set the Pocket Chronograph to the Airgun High Power velocity range.



SETTING SCREEN

To access settings, **long press the button above the power button**. In the menu, the possible actions for each button are shown on the display, next to the button. For example, to select a menu, press the power button and use the up and down buttons to navigate through the options

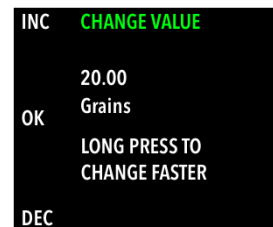


Velocity Unit menu allows you to choose the unit for measurement. If you choose to use energy units, make sure that the pellet weight is set correctly in the Pellet Weight menu.

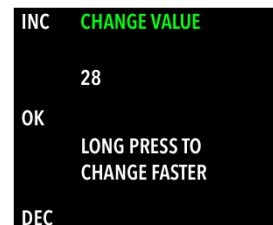


The Range Unit menu allows you to set the unit of measurement for range. However, this feature is not currently use.

The Pellet Weight menu allows you to set the weight of the pellet in grains. This information is used to calculate the energy of the shot, in both foot-pounds and joules.



The Magazine Size menu lets you set the size of the magazine you are using. When the magazine is empty, the text on the main screen will turn red. You can reset the magazine counter on the main screen by pressing the power button briefly.



To exit the settings menu, navigate to the exit option and press the power button.



CARE AND MAINTENANCE

- Clean the display regularly with a dry, soft cloth to remove any dust or debris.
- Avoid exposing the display to extreme temperatures, humidity, or direct sunlight.
- If the display is not going to be used for an extended period of time, store it in a cool, dry place with a partially charged battery.

Firmware 1.18

To determine the current firmware version of your device, follow these steps:

1. Turn on the device by pressing the power button.
2. Press and hold the button above the power button until you enter the settings menu.
3. The firmware version should be displayed in the format of x.x (e.g. 1.17 or 1.18).

Firmware 1.18 includes the addition of two new menu items:
Velocity Range and Minimum Return

The Velocity Range option allows the user to select from various power bands, whereas version 1.17 of the firmware automatically sets the radar to the Airgun High Power velocity range.

Minimum Return, in some cases, the sensitivity of the chronograph may need to be adjusted. If a shot is not being registered, you can try lowering the minimum return value to make the chronograph more sensitive. If the chronograph is reading random values, you can try increasing the minimum return value.

Before making adjustments to the settings, try repositioning the chronograph first. Sometimes moving the chronograph further away from the muzzle can improve its performance, even though it may seem counterintuitive. If repositioning the chronograph does not help, then you can consider making adjustments to the setting.



Version history

- 1.17 (Release version)
- 1.18 (March 2023) - New features added:

Velocity Range: Allows for adjustment of the velocity range of the device.

Minimum Return: Allows for setting a minimum return value for the device.