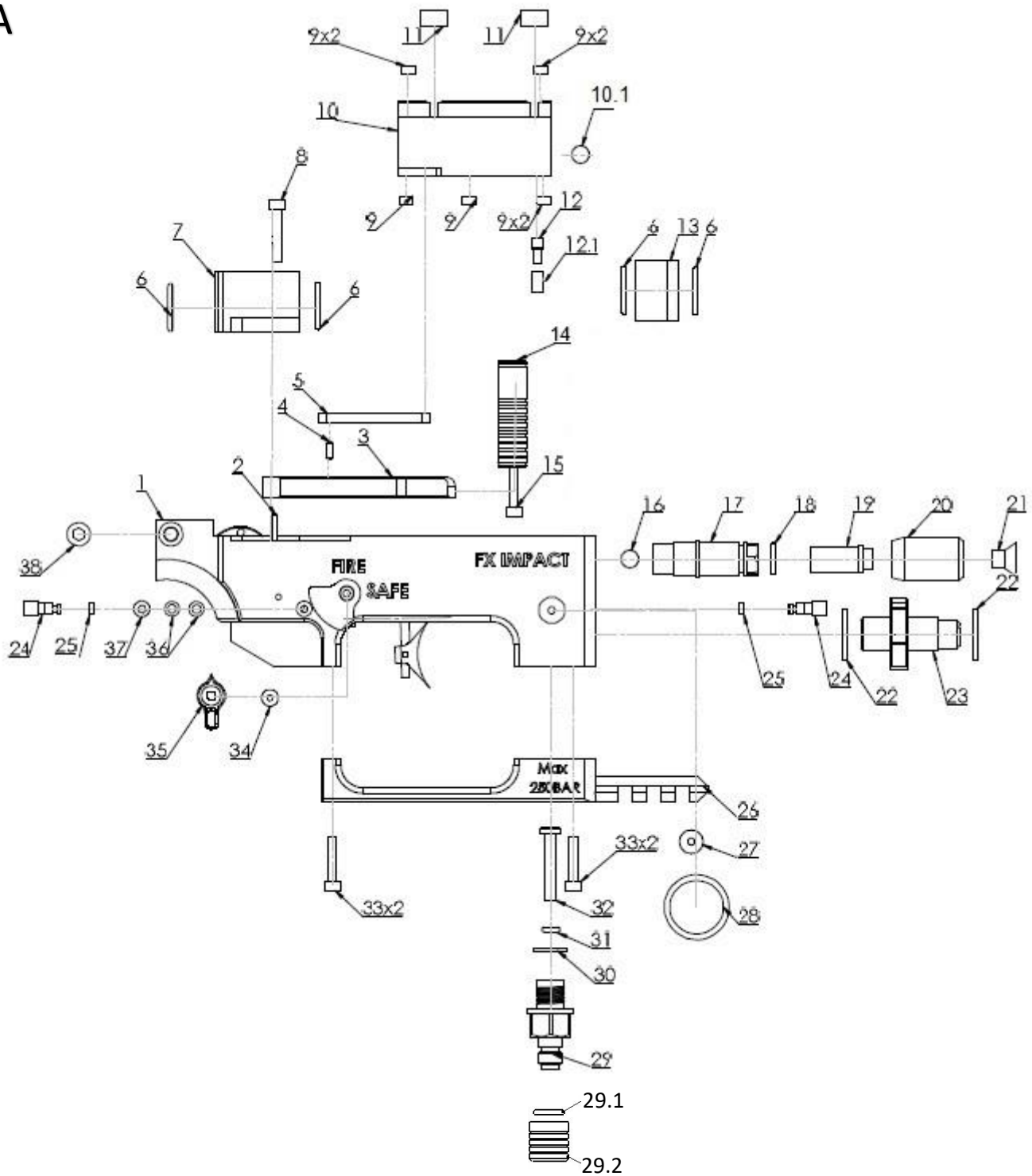


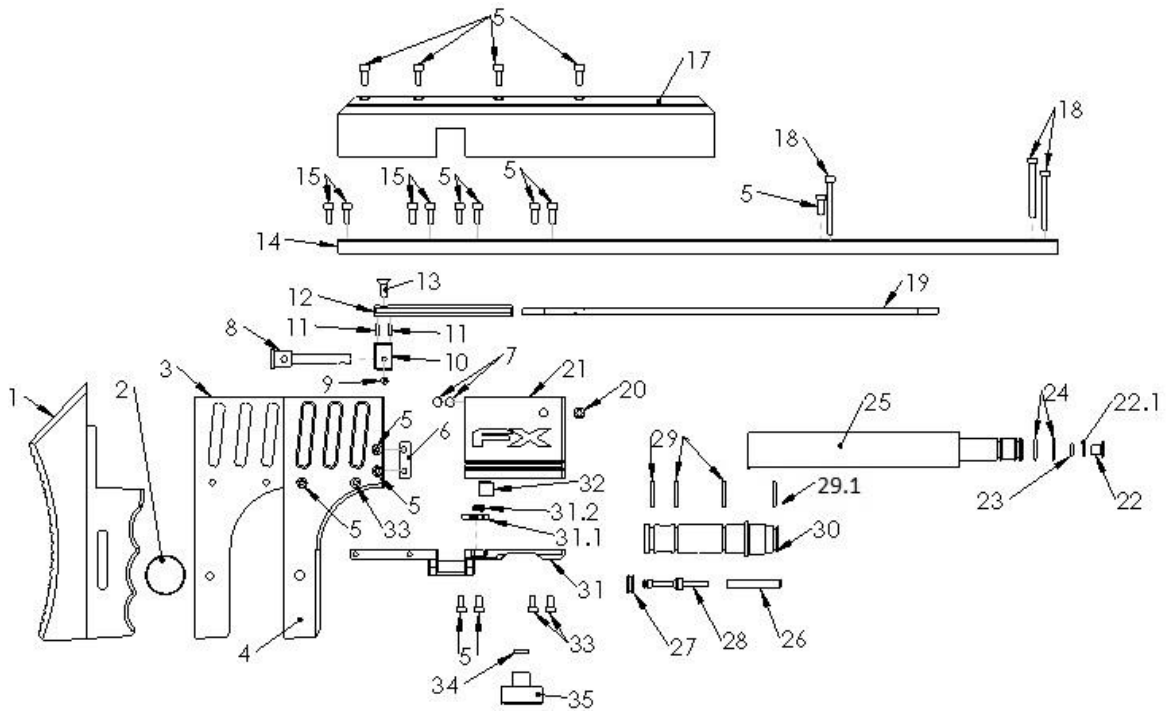
Model	Other model names	Date	Revision	Revision date
FX Impact MkII		2019-08-02	EN.21.01	2021-04-26

A

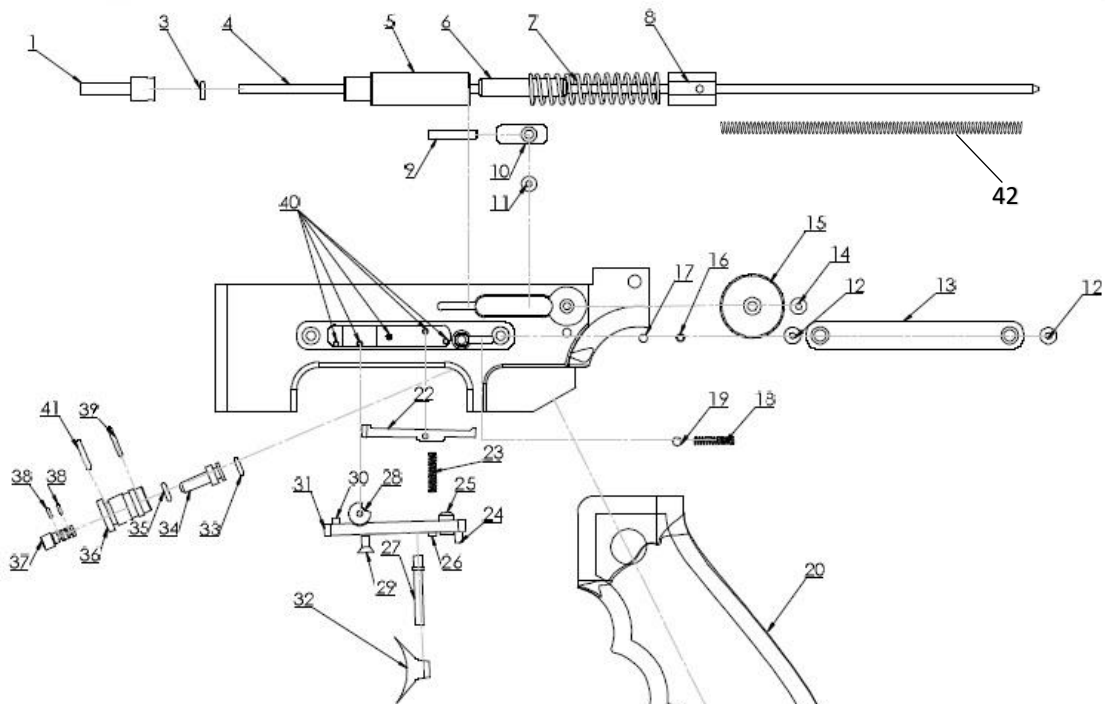


Model	Other model names	Date	Revision	Revision date
FX Impact MkII		2019-08-02	EN.21.01	2021-04-26

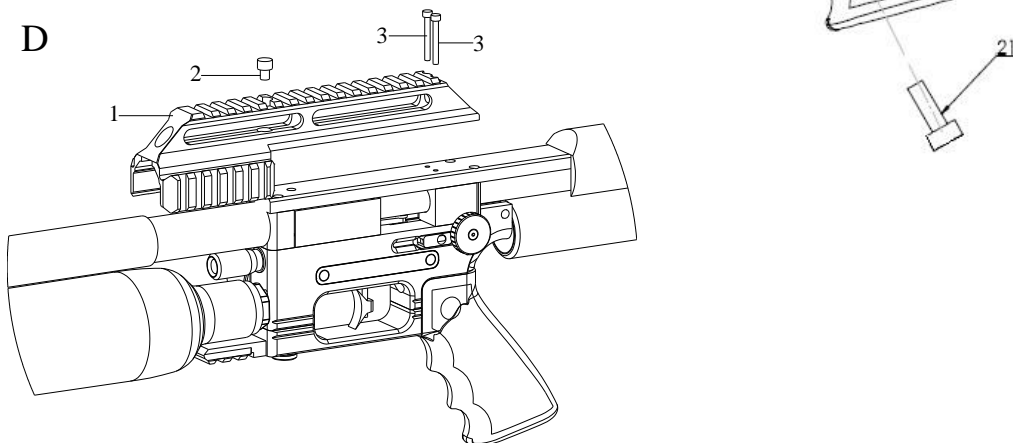
**B**



**C**



**D**



Model	Other model names	Date	Revision	Revision date
FX Impact MkII		2019-08-02	EN.21.01	2021-04-26

NO	ART. NO	DESCRIPTION	NO	ART. NO	DESCRIPTION
A1	19690	Trigger block Impact X MkII Black	B6	19606	Magazine holder Impact
A1	19690-3	Trigger block Impact X MkII Red - trigger guard included	B7	5110	Rubberball 4,75 NBR 70
A1	19690-4	Trigger block Impact X MkII Blue - trigger guard included	B8	19641	Pellet probe Impact .177
A1	19690-5	Trigger block Impact X MkII Gold - trigger guard included	B8	19620	Pellet probe Impact .22
A1	20290	Trigger block Impact X MkII Bronze	B8	19621	Pellet probe Impact .25
A2	1501	Cylindrical pin 2,5m6x24	B8	19619	Pellet probe Impact .30
A3	19638	Sidelever Imp, Crown, Str	B9	19748	Grub screw M3x7, <i>until ser.no. 191084</i>
A4	19026	Cylindrical pin 2,5m6x6	B9	19643	Grub screw, Pellet probe, M4, <i>from serial no.191084</i>
A5	19021	Side lever linkage	B10	19614	Pellet probe holder, <i>revision 4, until serial No. 191084, (use with 19748)</i>
A6	19718	O-ring 14x1,5 NBR 70	B10	19614	Pellet probe holder, <i>revision 5, from serial no. 191084, (use with 19643)</i>
A7	19650	Rear Support Impact	B11	19601	Cylindrical pin 2h6x6
A8	19740	Socket head cap screw M3x22	B12	19612	Pellet probe guide
A9	19652	Puck 5,0	B13	2505	Countersunk screw m4x10
A10	19691	Reloading block Impact	B14	19642	Guiding Plate Impact
A10.1	2531	Rubberball 5,54 NBR 70	B15	2527	Socket head cap screw M3x10
A11	19653	Puck 9,9	B16	N/A	N/A
A12	19713	Socket head cap screw M3x6	B17	19779	Cheek piece for Impact (january 2019)
A12.1	19676	Sleeve reloading	B18	11506	Socket head cap screw M3x30
A13	19651	Front Support Impact	B19	19667	Reloading Bar
A14	19611	Side lever handle B2-WC-IM	B20	19846	Grubb screw M6x6
A15	11060	Socket head cap screw M3x18	B21	19698R	Rear block Impact
A16	11599	Rubber ball 6,35 NBR90	B22	19674	O-ring valve tube stop
A17	19616	Valvestop Impact	B22.1	19061	O-ring 6x1 NBR90
A18	19722	O-ring 9x1,5 NBR 70	B23	19768	O-ring 2,84x2,62 PUR 90
A19	19668	Valve adjuster screw	B24	19722	O-ring 9x1,5 NBR 70
A20	19669	Valve adjusterknob Impact	B25	19615-1	Valvetube 20mm Impact
A21	19717	Countersunk screw m6x8	B26	19603	Valve nut impact
A22	11507	Rubber/Steel Washer	B27	19217	Valve seat Cal.30 Complete
A23	19659	Bottle adapter impact	B28	7064	Valvepin complete Impact
A24	19694	Brass adapter Impact	B29	19677	O-ring 10,5x2 NBR 70
A25	19761	O-ring 2,2x1 NBR 70	B29.1	19718	O-ring 14x1,5 NBR 70
A26	19689	Trigger guard Impact, black	B30	19605-1	Valvehousing Impact
A26	19617	Trigger guard Impact, silver	B31	20117	Magazine bracket Impact MkII
A27	19762	X-ring 3,63x2,62 NBR 70	B31.1	20116	Locking arm Magazine bracket MkII
A28	19775	Manometer 28mm with black cover	B31.2	16093	Spring 0,3x2x10
A29	16303	Quick connector short	B32	19224	Grubscrew M8x8
A29.1	4528	O-ring 7.66x1.78 NBR70	B33	19713	MC6S M3x6
A29.2	19910	Dust Cover - Quick Connection	B34	19762	X-ring 3,63x2,62 NBR 70
A30	19720	O-ring 10x1 NBR 90	B35	19775	Manometer 28mm with black cover
A31	5107	O-ring 2,9x1,78 PUR 90	C1	19604	Hammerseat
A32	19005	Inlet valve rod - Blue	C2	N/A	N/A
A33	19682	Socket head cap screw M3x16	C3	5107	O-ring 2,9x1,78 PUR 90
A34	2504	Countersunk screw M3x6	C4	19647	Valverod
A35	19610	Safety	C5	19622	Impact Hammer HP - Depth 20mm
A36	19736	Plastic Washer 5,3x3,1x1	C6	19623	Spring guide Impact
A37	19715	Socket head cap screw M3x5	C7	11500	Hammer spring
A38	14500	Socket head cap screw M5x16	C8	19609	Spring holder Impact
B1	19618-1	Recoilpad Impact Solid	C9	19683	Conical grub screw M3x18
B2	19728	Adjustment Screw Recoilpad Impact	C10	19602-OG	Hammer adjuster
B3	19646	Left plate Impact	C11	19715	Socket head cap screw M3x5
B4	19645	Right plate Impact	C12	2504	Countersunk screw M3x6
B5	12610	Socket head cap screw M3x8	C13	19693	Impact sprintholder

Model	Other model names	Date	Revision	Revision date
FX Impact MkII		2019-08-02	EN.21.01	2021-04-26

C14	2508	Countersunk screw M3x10	C31	19637	Triggerbase Impact
C15	19608	Power adjuster Impact	C32	19136	Adjustable triggerblade
C16	11501	Spring 0,5x2,5x6,1	C33	19109	O-ring 4x1,5 NBR 70
C17	4066	Steel ball 3mm	C34	19696	Regulator piston (long) (May 2017>)
C18	11501	Spring 0,5x2,5x6,1	C35	19109	O-ring 4x1,5 NBR 70
C19	4066	Steel ball 3mm	C36	19697-1	Regulator housing Impact/Crown
C20	19710	Houge Grip Rubber AR15	C37	19695	Regulator Screw Impact
C21	19743	Socket head cap screw M6x20	C38	19731	O-ring 2x1 NBR 90
C22	19636	Triggersear	C39	19790	O-ring 10x1,5 NBR90
C23	11504	Spring 0,32x3,2x14,4 v2.3	C40	19040	Cylindrical pin 2m6x23,5
C24	19742	Grub screw M3x8	C41	19225	O-ring 7,5x2 NBR70
C25	11062	Adj screw second stage, soft	C42	19735	Spring 0,75x5x175
C26	2500	Grub screw M3x6			
C27	19613	Triggermount Impact	D1	19644	Rail Picatinny x3 Impact Black
C28	11525	Triggerroll	D1	19639	Picatinny Rail x3 Impact Silver
C29	2504	Countersunk M3x6	D2	19684	Socket head cap screw M5x8
C30	2500	Grub screw M3x6	D3	2554	Socket head cap screw M3x25