

Digital manometer

Made in Switzerland 



Functions:

2 display and function types selectable by button:

Pressure display, Shot display, Lifetime shots, Auto-Off, Calibration.

Display can be switched via button between two pressure gauge types:

→ normal pressure display and pressure display with remaining shots and lifetime shots.

Specifications:

Pressure range / measuring range: 250bar

Regulator = 150bar gas cylinder 230...250bar

Operating temperature range: 10...40°C

Storage temperature: -30°C ... 80°C

Media resistance: air

LCD display: 3 digits, display bar, shot symbol and caution -symbol + Batlow

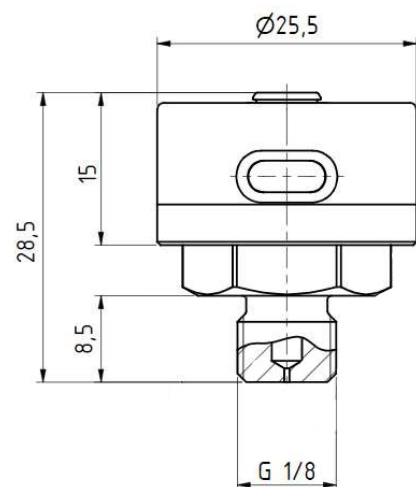
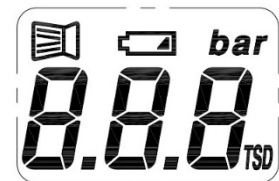
Battery Type: CR1632 / 3V / 125mAh

Lifetime Battery: ON: >1 year OFF: > 10 years

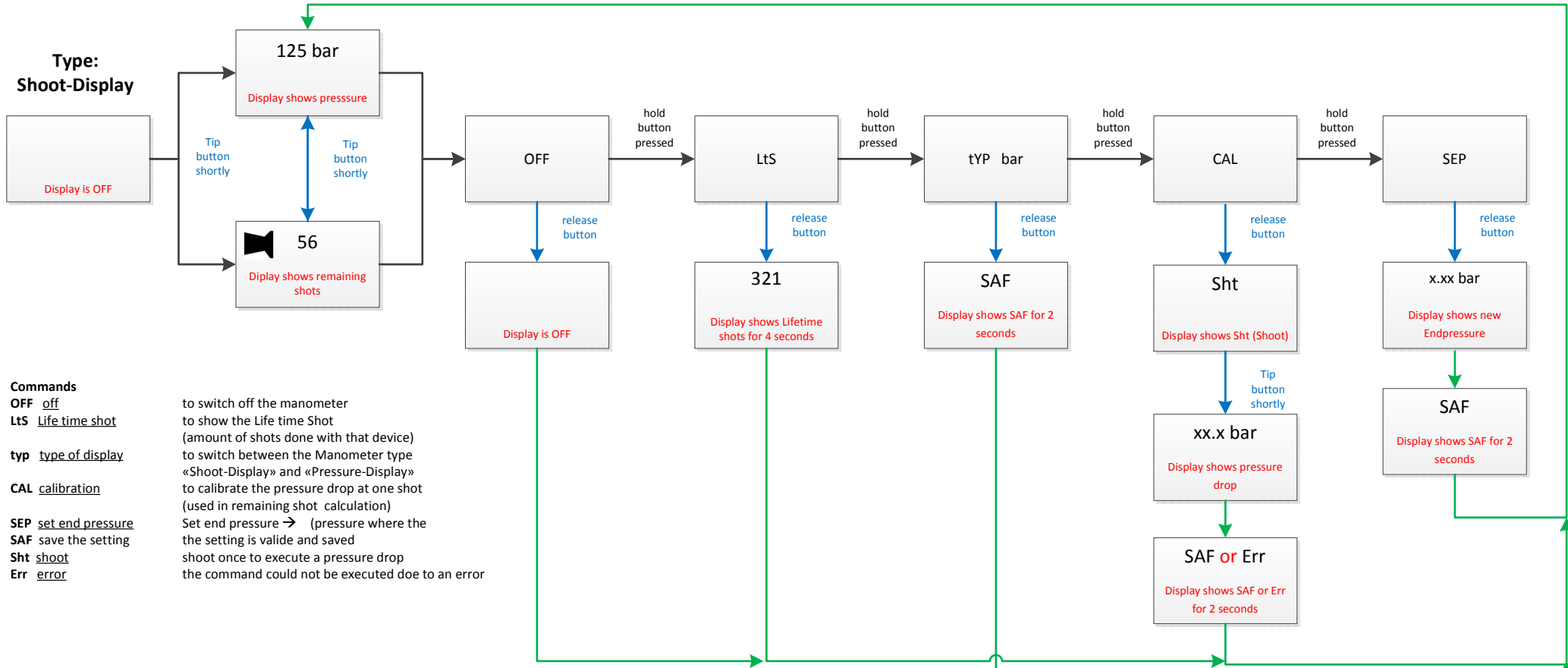
Dimensions housing: \varnothing 25.5mm x 20mm (28.5mm)

\varnothing 25.5mm x 20mm (28.5mm)

Pressure connection - thread - wrench size: G1/8 - SW18 - 5mm high



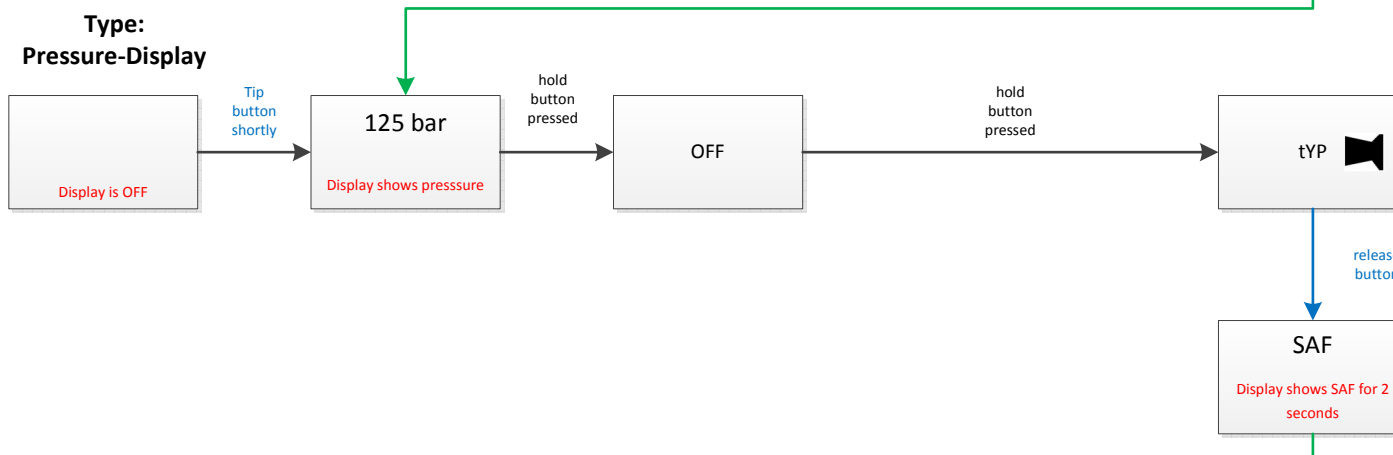
**Type:
Shoot-Display**



Commands

- OFF** off to switch off the manometer
- LtS** Life time shot to show the Life time Shot (amount of shots done with that device)
- tYP** type of display to switch between the Manometer type «Shoot-Display» and «Pressure-Display»
- CAL** calibration to calibrate the pressure drop at one shot (used in remaining shot calculation)
- SEP** set end pressure Set end pressure → (pressure where the the setting is valide and saved)
- SAF** save the setting shoot once to execute a pressure drop
- Sht** shoot the command could not be executed doe to an error
- Err** error

**Type:
Pressure-Display**



Calculation of remaining shots

The remaining shots are calculated like that:

$$RS = (AP - EP) / PD$$

- RS : Remaining shots
- AP: actual pressure in the pressure cylinder
- PD: pressure drop one shot
- EP: End pressure, when the pressure cylinder must be filled up