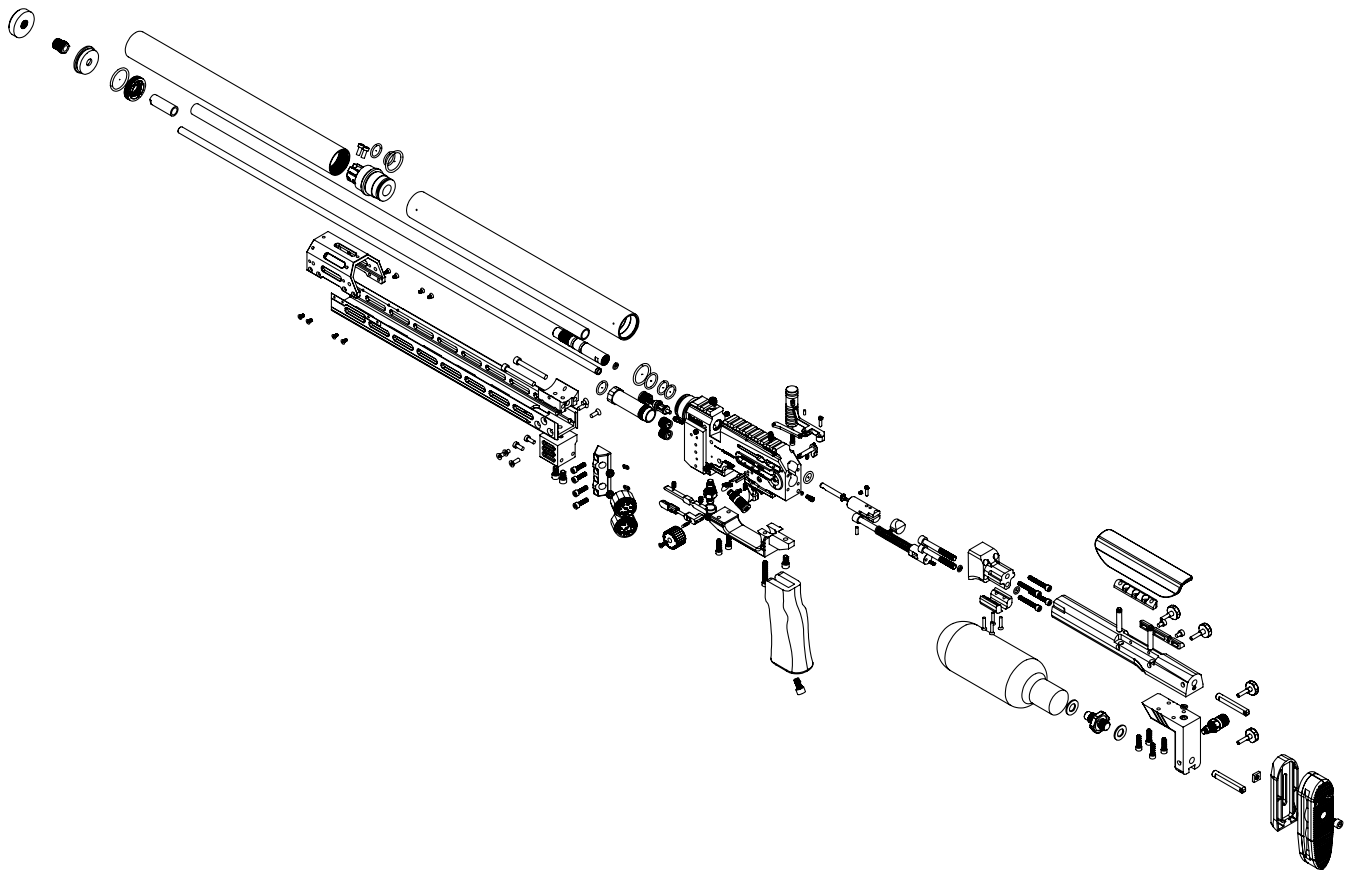
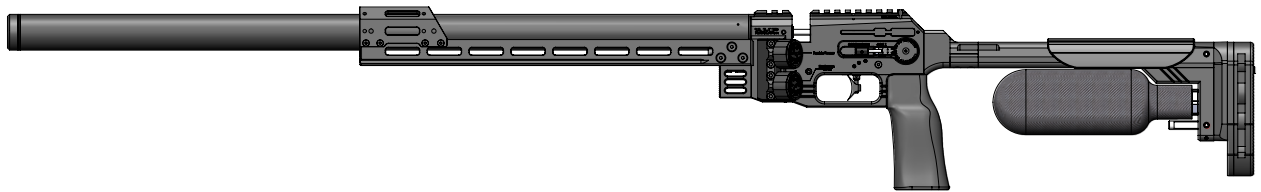
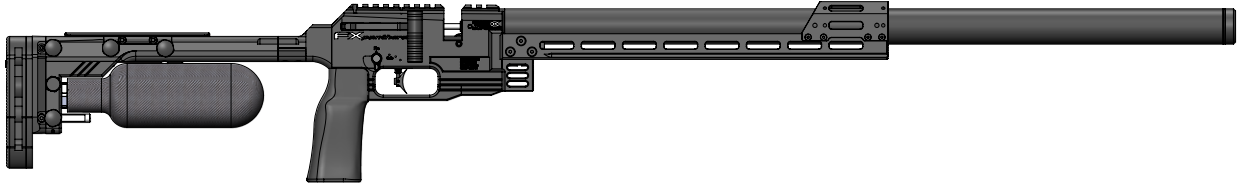


Model	Other model names	Date	Revision	Revision date
FX Panthera		2023-09-08	EN.23.04	

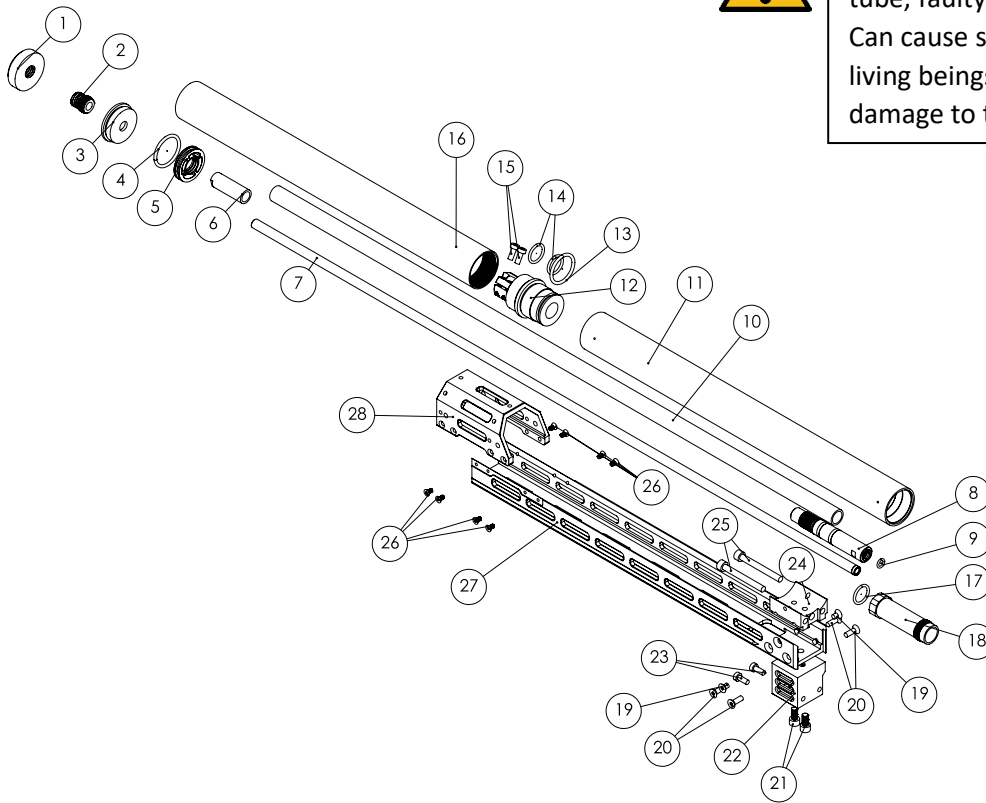


Model	Other model names	Date	Revision	Revision date
FX Panthera		2023-09-08	EN.23.04	

**A**



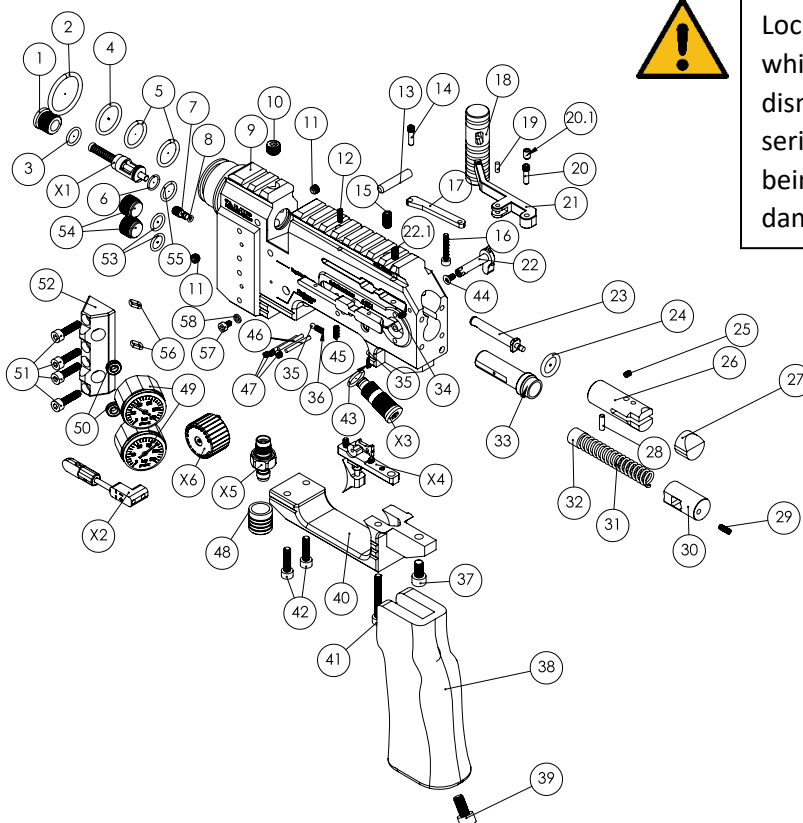
Barrel system A1-A18 runs thru a pressurized tube, faulty dismantling or faulty re-assembly Can cause serious injury to yourself and other living beings in the proximity. Can cause serious damage to the gun and property close by.



**B**

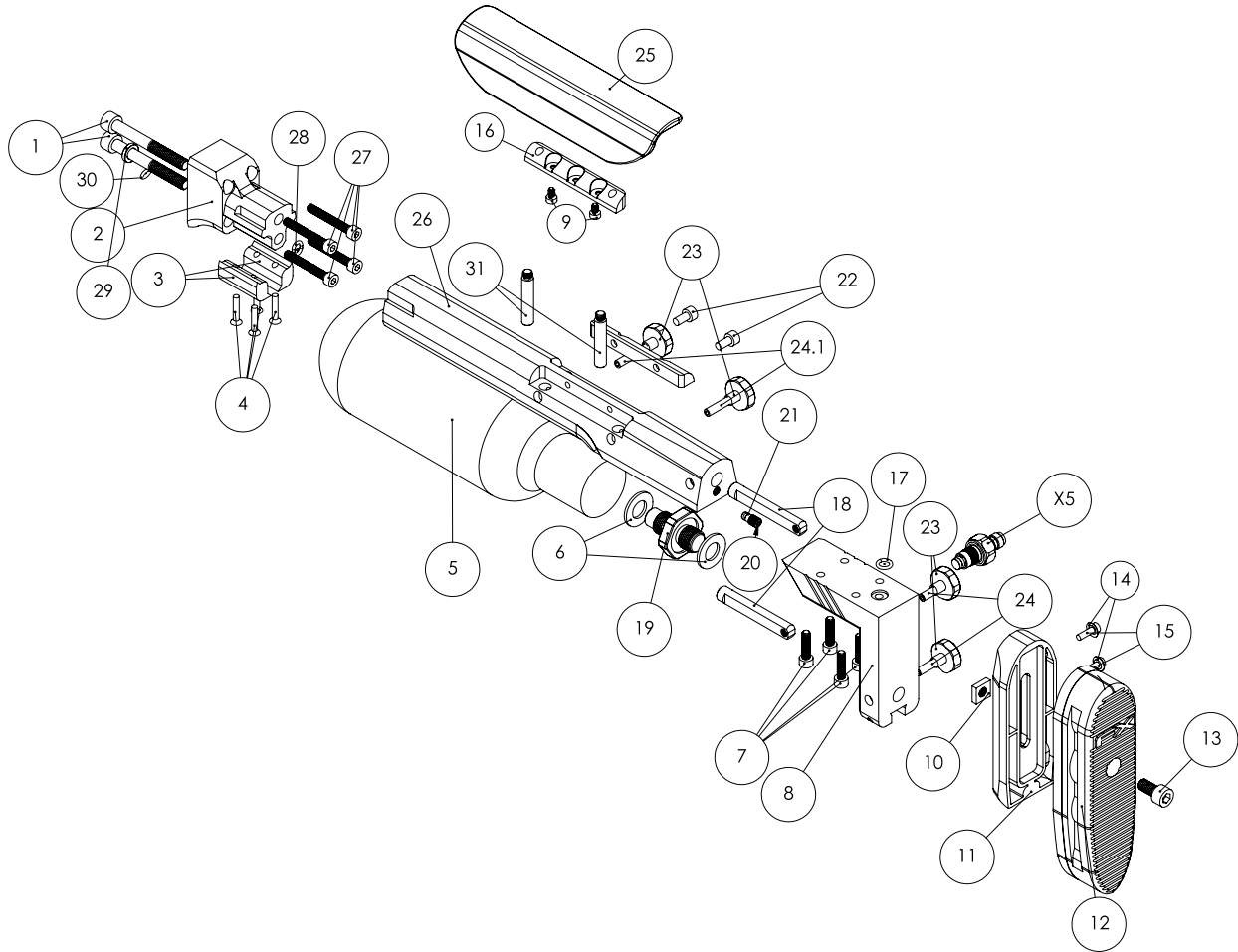


Locking screw A11 holds the barrel system which runs thru a pressurized tube, faulty dismantling or faulty re-assembly Can cause serious injury to yourself and other living beings in the proximity. Can cause serious damage to the gun and property close by.



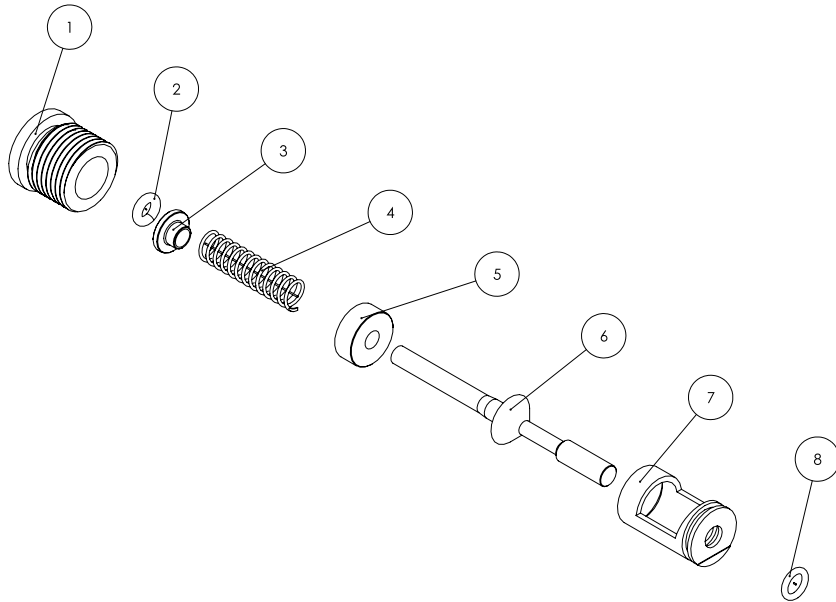
Model	Other model names	Date	Revision	Revision date
FX Panthera		2023-09-08	EN.23.04	

C

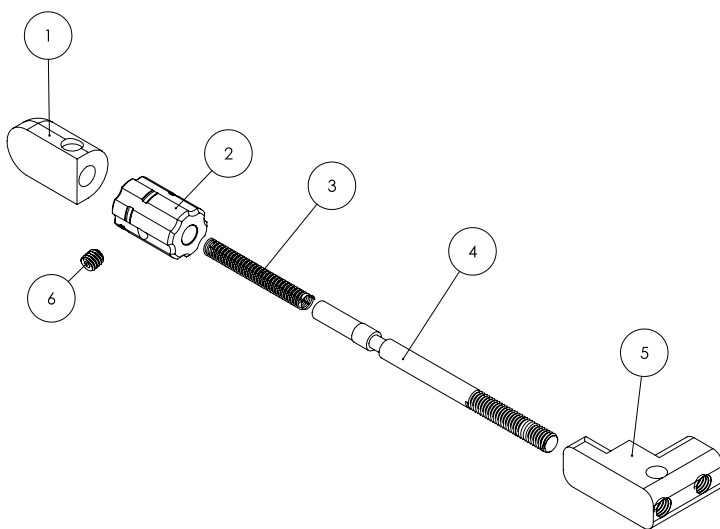


Model	Other model names	Date	Revision	Revision date
FX Panthera		2023-09-08	EN.23.04	

## X1

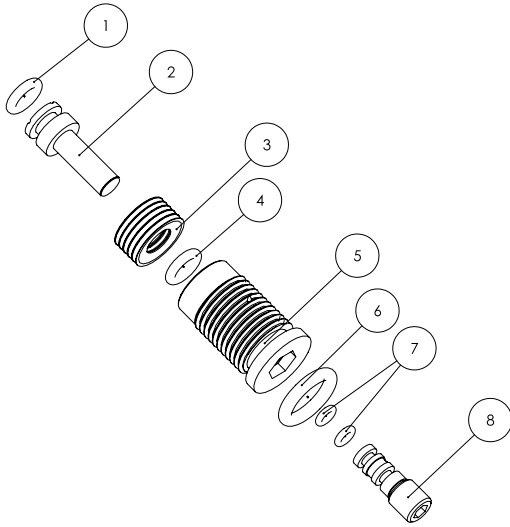


## X2

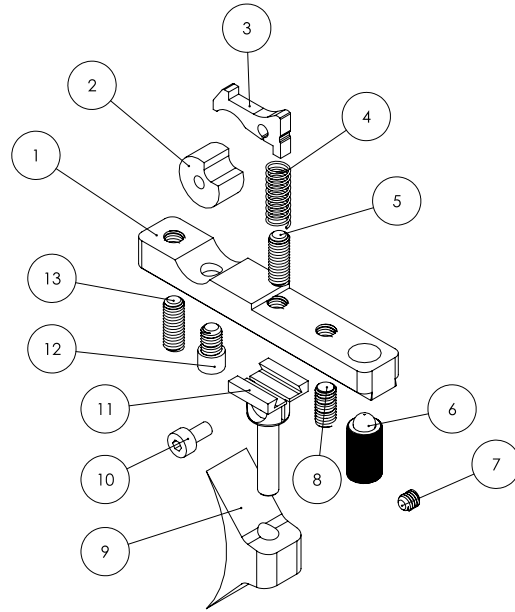


Model	Other model names	Date	Revision	Revision date
FX Panthera		2023-09-08	EN.23.04	

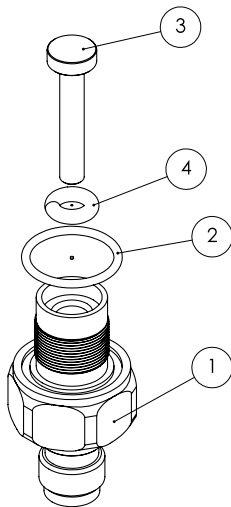
**X3**



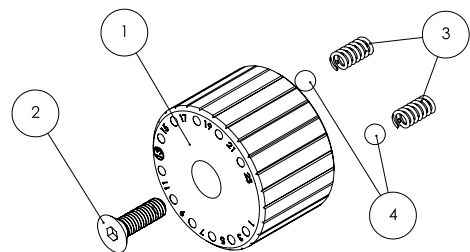
**X4**



**X5**



**X6**



Model	Other model names	Date	Revision	Revision date
FX Panthera		2023-09-08	EN.23.04	

NO	ART. NO	DESCRIPTION	NO	ART. NO	DESCRIPTION
A1	20945	Muzzle-Thread Cover	B18	10301	Side lever handle
			B19	19026	Cylindrical pin 2,5m6x6
A2 .177, .22	10332-22	Muzzle thread insert .177, .22	B20.1	2501	Cup point grub screw M4x6
A2 .25	10332-25	Muzzle thread insert .25	B21	20914	Sidelever Dynamic
A2 .30	10332-30	Muzzle thread insert .30	B22	19610	Safety
A2			B22.1	12033	Grub screw M4x8
A3	20944	Shroud Muzzle Cap Dynamic	B23 .177	20918	Pellet probe .177 Dynamic
A4	19105	O-ring 25x2,5 NBR70	B23 .22	20919	Pellet probe .22 Dynamic
A5	20943	Shroud Bushing with airvents Dynamic	B23 .25	20920	Pellet probe .25 Dynamic
A6	Support page	See schematic	B23 .30	20921	Pellet probe .30 Dynamic
A7	Support page	See schematic	B23		
A8 .177	20928	Barrel inlet .177 Dynamic	B24	5159	O-ring 10,6x2,4 NBR70
A8 .22	20929	Barrel inlet .22 Dynamic	B25	16092	Grub screw M3x4
A8 .25	20930	Barrel inlet .25 Dynamic	B26	20916	Carrier Dynamic
A8 .30	20931	Barrel inlet .30 Dynamic	B27	20913	Reloading Protection
A8 .			B28	11509	Cylindrical pin 3h6x10
A9 .177	5114	O-ring 4,3x1,5 NBR70	B29	19742	Grub screw M3x8
A9 .22	19726	O-ring 5,5x1,5 NBR70	B30	20951	Spring Guide Dynamic
A9 .25	2575	O-ring 6,35x1,27 NBR70	B31	2604	Hammerspring 52mm
A9 .30	19209	O-ring 7,5x1,5 NBR70	B32	11540	Hammer Weight
A9			B33	19039	Hammer V7
A10	Support page	See schematic	B34	19109	O-ring 4,0x1,5 NBR70
A11	Support page	See schematic	B35	4066	Steel ball 3mm
A12	20938	Valvetube End, Plenum PRS	B36	11501	Spring 0,5x2,5x6,1
A13	19485	O-ring 23,0x2,5 NBR70	B37	5173	Socket head cap screw M5x10
A14	19950	O-ring 14x2 NBR70	B38	20911	AR 15 Grip
A15	19480	Socket head cap screw M4x10	B39	5170	Socket head cap screw M6x12
A16	Support page	See schematic	B40	20912	Trigger Guard Dynamic
A17	19950	O-ring 14x2 NBR70	B41	2536	Socket head cap screw M4x30
A18	20933	Barrelsupport Dynamic	B42	5201	Socket head cap screw M4x16
A19	5208	Countersunk screw M4x6	B43	19790	O-ring 10,0x1,5 NBR90
A20	5225	Countersunk screw M4x12	B44	2504	Countersunk screw M3x6
A21	5202	Socket head cap screw M5x12	B45	19742	Grub screw M3x8
A22	20934	Barricade Stop Dynamic	B46	11502	Cylindrical pin 2h6x20
A23	19480	Socket head cap screw M4x10	B47	2562	Grub screw M3x3
A24	20988	Support Block Dynamic	B48	19910	Dust cover – Quick connection
A25	2512	Socket head cap screw M5x55	B49	19775	Manometer 28mm with cover
A26	13039	Countersunk screw M3x8	B50	19762	X-ring 3,63x2,62 NBR70
A27	20935	Fore End Stock Dynamic	B51	5201	Socket head cap screw M4x16
A28	20942	Fore End Top Accessory Mount Dynamic	B52	20986	Angled Mount (Dual) Dynamic
			B53	19835	O-ring 8x2 NBR70
B1	20925	Valve Housing Dynamic	B54	20927	Plugg M12 Dynamic
B2	19485	O-ring 23,0x2,5 NBR70	B55	19790	O-ring 10,0x1,5 NBR90
B3	19763	O-ring 9x1,5 NBR70	B56	19726	O-ring 5,5x1,5 NBR70
B4	5178	O-ring 16,5x2 NBR90	B57	19715	Socket head cap screw M3x5
B5	19950	O-ring 14x2 NBR70	B58	19736	Plastic Washer 5,3x3,1x1
B6	19108	O-ring 8x1 NBR90			
B7	19694	Brass adapter Impact			
B8	19761	O-ring 2,2x1 NBR70	C1	5172	Socket head cap screw M6x55
B9	21074R	Main Block Dynamic	C2	20909	Rear Stock Transition Dynamic
B10	11532	Grub screw M8x10	C3	20910	Transition Cover Dynamic
B11	19114	Grub screw M5x6	C4	5171	Countersunk screw M3x12
B12	19742	Grub screw M3x8	C5	Support page	See schematic "Bottle"
B13	2526	Grub screw M5x25	C6	11507	Rubber/Steel Washer
B14	20946	Carrier Screw Dynamic	C7	5201	Socket head cap screw M4x16
B15	10374	Second stage trigger screw M5	C8	20902	Recoilpad L-Mount Dynamic
B16	11060	Socket head cap screw M3x22	C9	19715	Socket head cap screw M3x5
B17	20915	Linkage Dynamic	C10	5176	M6 nut

Model	Other model names	Date	Revision	Revision date
FX Panthera		2023-09-08	EN.23.04	

C11	20901	Recoilpad Mount Dynamic	X3-1	19109	O-ring 4x1,5 NBR 70
C12	20900	Recoilpad Dynamic	X3-2	19696	Regulator piston (long) (May 2017->)
C13	5170	Socket head cap screw M6x12	X3-3	0198	Bellwiew washers Crown/Imp FAC
C14	16123	Screw M4x12	X3-4	19109	O-ring 4x1,5 NBR 70
C15	2570	Washer 10x4,2x0,5	X3-5	19697-1	Regulator house
C16	20977	Cheek Piece Mount Dynamic	X3-6	19225	O-ring 7,5x2 NBR70
C17	19726	O-ring 5,5x1,5 NBR70	X3-7	19731	O-ring 2x1 NBR 90
C18	20908	Recoilpad rod Dynamic	X3-8	19695	Regulator Screw Impact
C19	20983	Bottle connector PRS			
C20	19694	Brass adapter Impact	X4-1	19924	Trigger base Crown
C21	19761	O-ring 2,2x1 NBR70	X4-2	11525	Trigger wheel
C22	5230	Socket head cap screw M4x6	X4-3	19934	Trigger sear Crown
C23	20948	Cheek Piece Locking Knob Dynamic	X4-4	11504	Spring 0,32x3,2x14,4
C24	5201	Grubscrew M4x16	X4-5	19742	Grub screw M3x8
C24.1	5174	Grubscrew M4x20	X4-6	11015	Second stage trigger screw M5
C25	20950	Cheek Piece Dynamic	X4-7	12035	Grub screw M2.5x2.5
C26	20907	Rear Stock Dynamic	X4-8	2500	Grub screw M3x6
C27	2536	Grub screw M4x30	X4-9	19136	Adjustable trigger blade
C28	5125	O-ring 6,5x1,5 NBR70	X4-10	19178	Socket head cap screw M2x4
C29	20973	Plastic washer 6x10x2	X4-11	19137	Triggerpin
C30	19109	O-ring 4,0x1,5 NBR70	X4-12	19927	Screw trigger roll Crown
C31	20949	Cheek Piece Bar Dynamic	X4-13	19742	Grub screw M3x8
X1-1	20925	Valve holder	X5-1	16303	Quick connector short
X1-2	15016	O-ring 2,9x1,78 NBR70	X5-2	19720	O-ring 10x1 NBR90
X1-3	20959	Spring seat	X5-3	19005	Inlet valve rod
X1-4	19850	Spring 0,5x4x20	X5-4	5107	2,9x1,78 PUR90
X1-5	20926	Valve gasket			
X1-6	20924	Vave rod	X6-1	19908	Power adjuster Crown
X1-7	20923	Valve seat	X6-2	2508	Countersunk screw M3x10
X1-8	5158	O-ring 3,5x1 NBR70	X6-3	11501	Spring 0,5x2,5x6,1
			X6-4	4066	Steel ball 3mm
X2-1	10293	Quick adjustment guide Impact M3			
X2-2	10292	Quick adjustment wheel Impact M3			
X2-3	1147	Spring 0,25X2,37X20			
X2-4	10291	Quick adjustment axle Impact M3			
X2-5	20050-1	Hammer Adjuster Dreamline/Crown			
X2-6	12035	Grub screw M2,5x2,5			