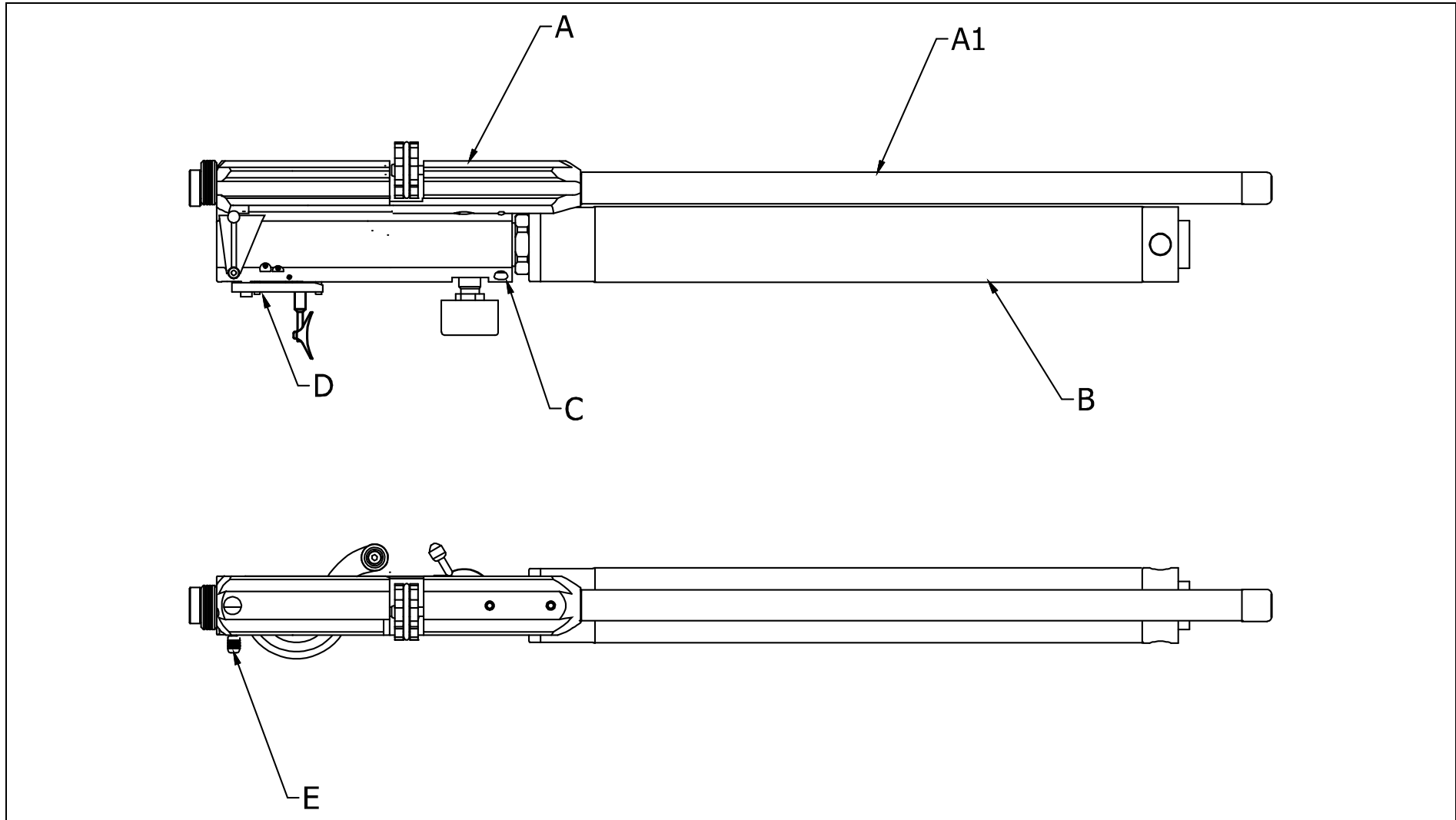
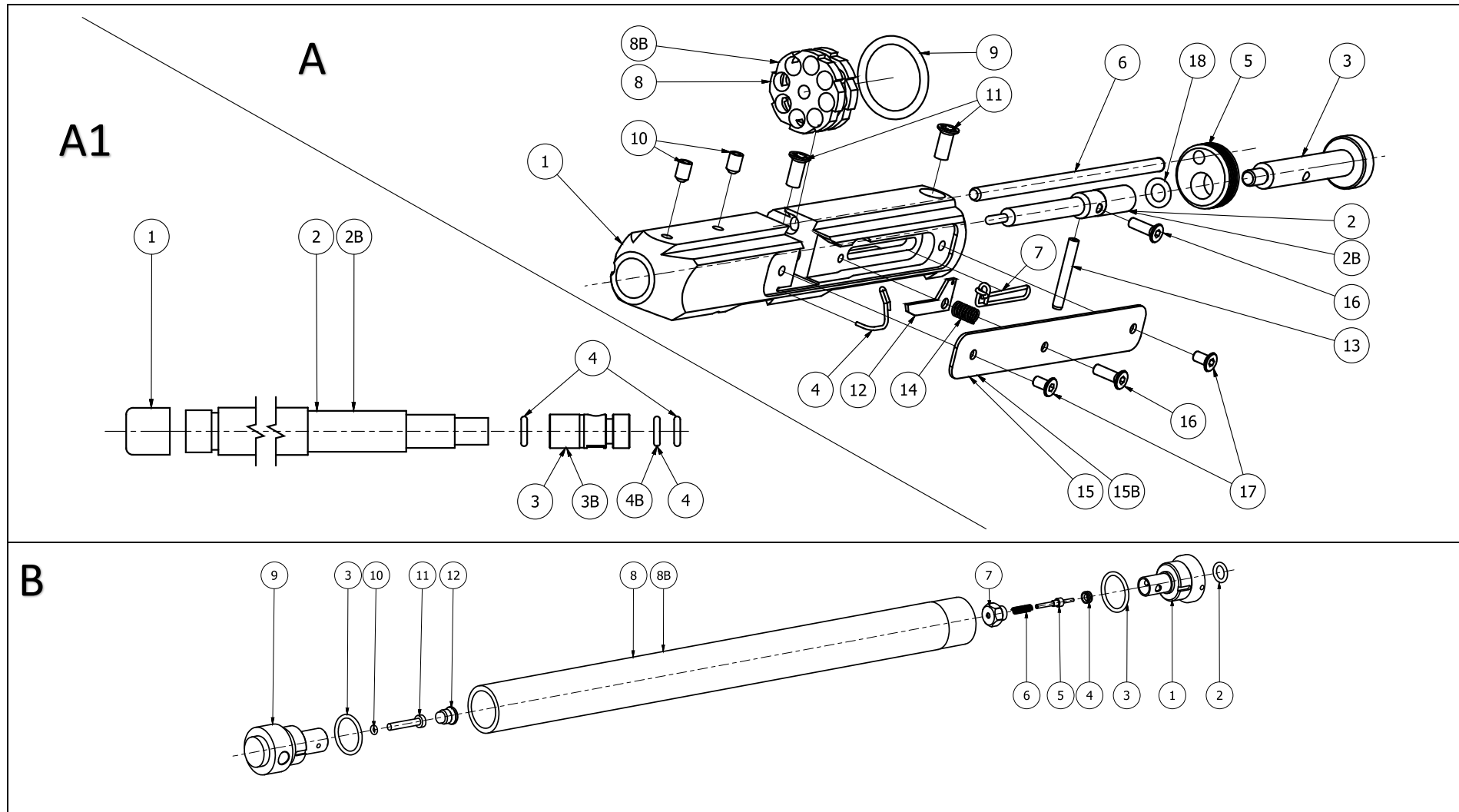


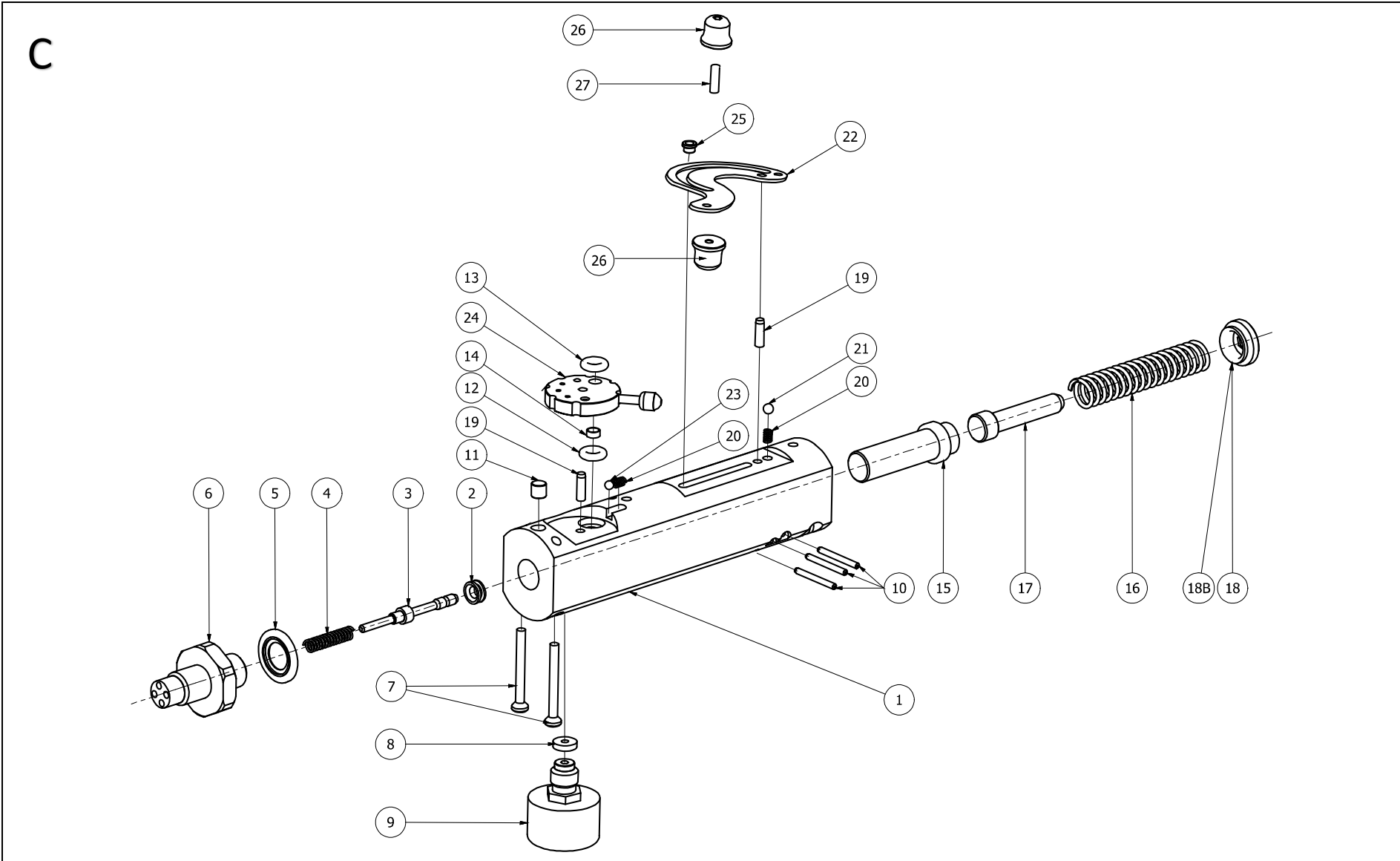
Model	Other model names	Date	Revision	Revision date
Ranchero		2020-08-14	EN.21.1	21-05-12



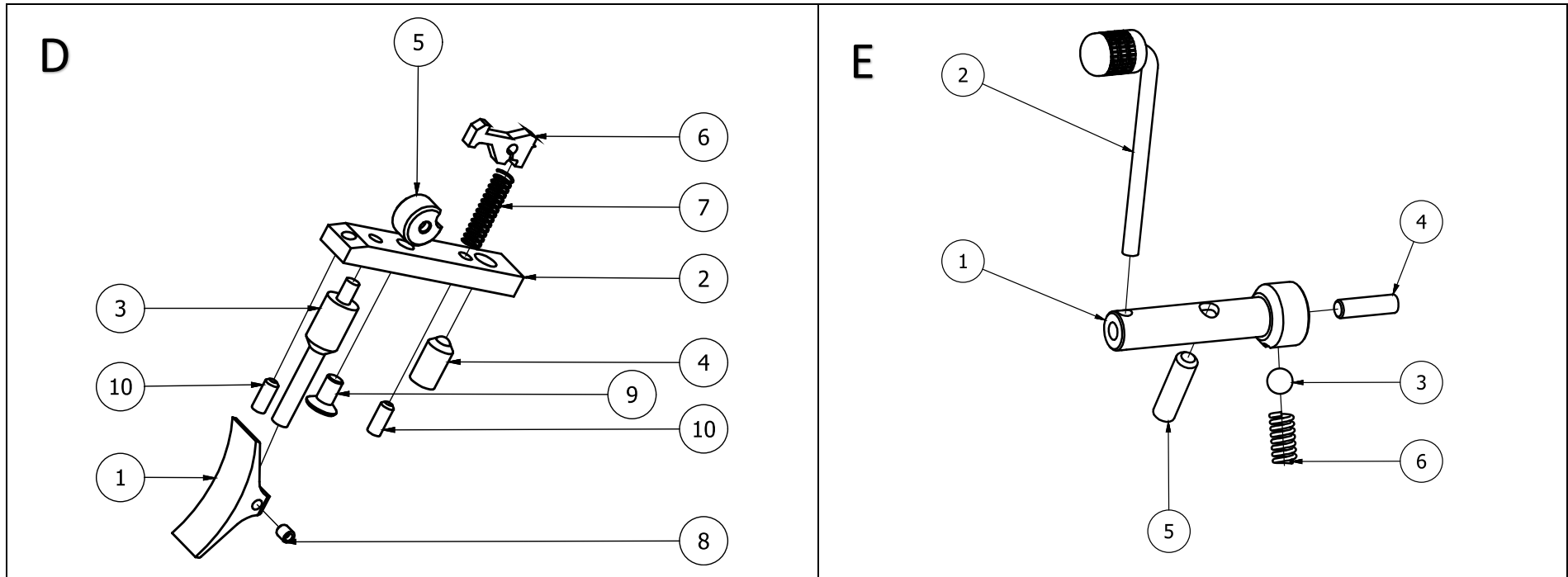
Model	Other model names	Date	Revision	Revision date
Ranchero		2020-08-14	EN.21.1	21-05-12



Model	Other model names	Date	Revision	Revision date
Ranchero		2020-08-14	EN.21.1	21-05-12



Model	Other model names	Date	Revision	Revision date
Ranchero		2020-08-14	EN.21.1	21-05-12



Model	Other model names	Date	Revision	Revision date
Ranchero		2020-08-14	EN.21.1	21-05-12

NO	ART. NO	DESCRIPTION	NO	ART. NO	DESCRIPTION	NO	ART. NO	DESCRIPTION
A1	11045	Main Block Cyclone and more (v2)	C1	11044	Main Body	E1	11027	Safety Pivot
A2	11048	Pellet Probe .177	C2	7044	Valve Seat Complete	E2	11625	Safety lever 27,5mm Cyclone, Cutlas, Ranchero.
A2B	11025	Pellet Probe .22	C3	7035	Valve pin V2 complete	E3	11527	Steel Ball 3.175
A3	11012	Thumb Return Screw	C4	11627	Spring 0,6x4x20 HV	E4	11633	Grub Screw M2,5x8
A4	2029	Magazine Stop	C5	11507	Rubber/Steel washer M12	E5	11508	Grub Screw M3x10
A5	11004	Magazine Release Grip	C6	11032	Air Cylinder Connector	E6	11501	Spring 0,5x2,5x6,1 Sä-Sp
A6	11022	Magazine Pin	C7	11506	Socket head cap screw M3x30			
A7	11516	Index Lever Connector	C8	5005	Plastic Washer 2mm 1/8"			
A8	11051	Magazine .177	C9	11505	Preassure Gauge 25mm 1/8"			
A8B	11050	Magazine .22	C10	11502	Cylindrical Pin 2h6x20			
A9	5101	O-ring 20 x 2,5 NBR 70	C11	11626	Spacer 4,8			
A10	2501	Cup point grub screw M4x6	C12	1504	O-ring 4,42 x 2,62 NBR 70			
A11	11511	Countersunk Screw M4x8 Torx	C13	11623	O-ring 4,42 x 2,62 NBR 90			
A12	11041	Index Lever	C14	11536	Air Transfer Port - High Flow			
A13	11514	Cylindrical Pin 3m6x22	C15	11023	Hammer			
A14	2520	Spring 0,5x4x7	C16	11500	Hammer Spring			
A15	11533-4.5	Plate FX Cyclone	C17	11540	Hammer Weight			
A15B	11533-5.5	Plate FX Cyclone	C18	11030	Hammer spring Adjuster M16x1x2,5			
A16	2508	Countersunk screw M3x10	C18B	11541	Hammer spring adjuster			
A17	2504	Countersunk screw M3x6	C19	11509	Cylindrical Pin 3h6x10			
A18	5108	O-ring 5,28 x 1,78 PUR 70	C20	11503	Spring 0,5x2,5x4,4			
A1-1	11038	Muzzle thread cover 14mm	C21	11547	Steel Ball 3.5			
A1-2	13028	Barrel 4,50-14-245	C22	11033	Sidelever			
A1-2B	13029	Barrel 5,50-14-245	C23	4066	Steel Ball 3.0			
A1-3	2057	Barrel brass inlet .177	C24	11020	Power adjuster blank			
A1-3	2056	Barrel Inlet .22	C25	12028	Sidelever Bearing			
A1-4	5112	O-ring 5,28 x 1,78 NBR 70	C26	11063	Cocking Bolt			
A1-4B	2529	O-ring 4,3 x 1,5 NBR 70 (.177)	C27	11508	Grub screw M3x10			
B1	11035	Air Cylinder End (Brass)	D1	19136	Adjustable Trigger Blade			
B2	5105	O-ring 9,3 x 2,4 NBR90	D2	11524	Trigger Base			
B3	11624	O-ring 22 x 2,5 NBR 70	D3	19150	Trigger Shoe Mount Short			
B4	7044	Valve Seat Complete	D4	11015	Second stage trigger screw M5			
B5	7018	Valve Pin Air Tube Complete	D5	11525	Trigger Wheel			
B6	2525	Spring 0,6x4x15	D6	11031	Trigger Sear			
B7	11013	Valve Pin Nut	D7	11504	Spring 0,32 x 3,2 x 14,4			
B8	12053	Air cylinder 140mm	D8	12035	Grub Screw M2,5 x 2,5			
B9	11029	Air Cylinder End Inlet	D9	2504	Countersunk Screw M3x6			
B10	5107	O-ring 2,9 x 1,78 PUR 90	D10	2500	Grub Screw M3x6			
B11	11615	High Performance Inlet Valve						
B12	19035	Plug 1/8"						