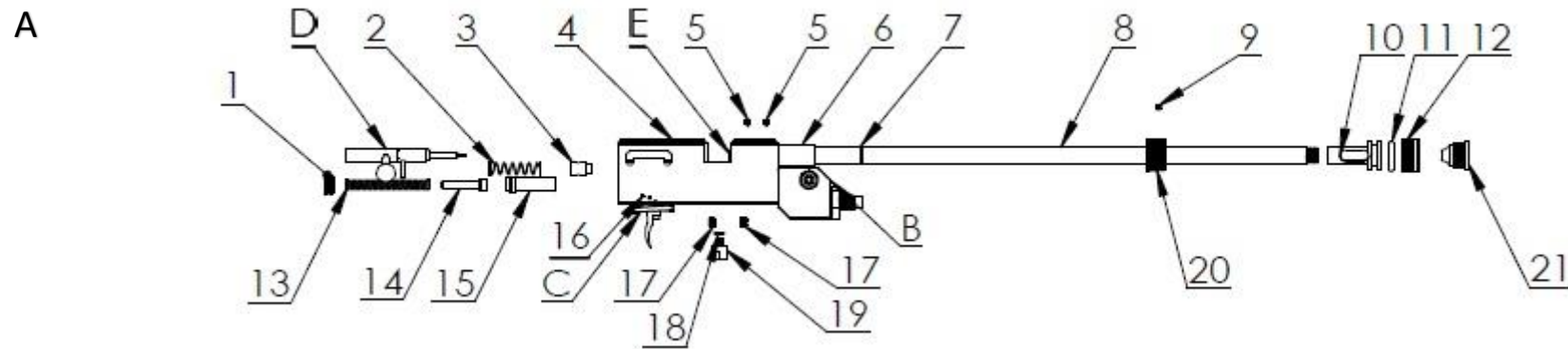
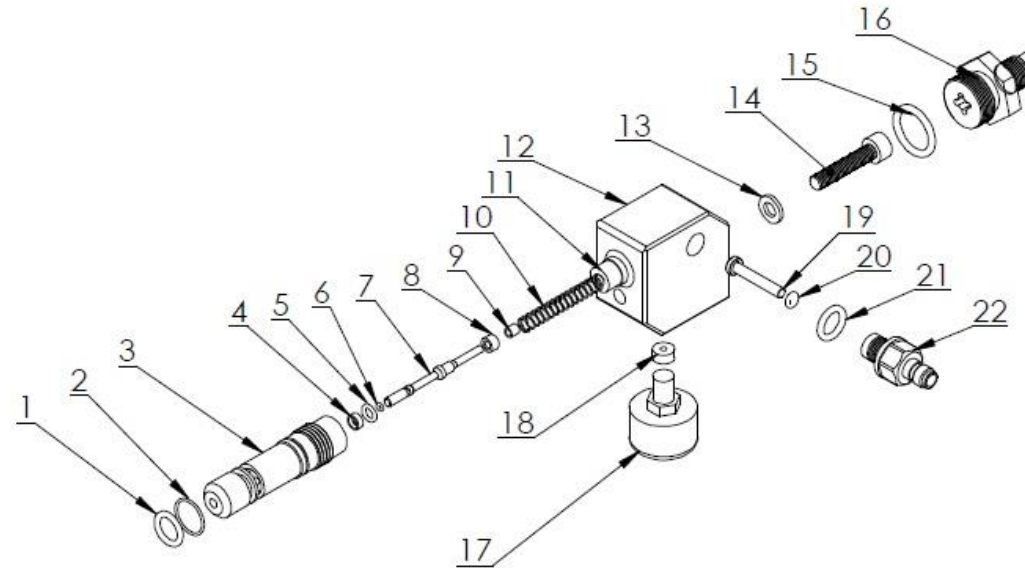


Model	Other model names	Date	Revision	Revision date
FX T12 400	Tornado 5 (JPN)	2018-06-25	EN.21.01	2021-05-12

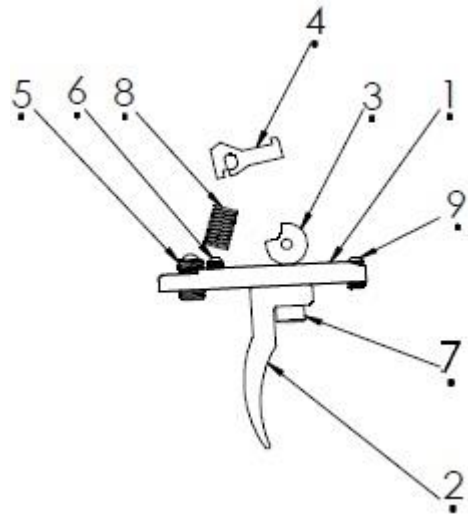


Model	Other model names	Date	Revision	Revision date
FX T12 400	Tornado 5 (JPN)	2018-06-25	EN.21.01	2021-05-12

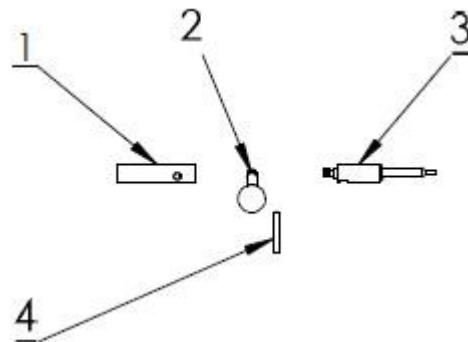
B



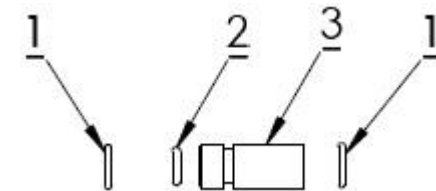
C



D



E



Model	Other model names	Date	Revision	Revision date
FX T12 400	Tornado 5 (JPN)	2018-06-25	EN.21.01	2021-05-12

NO	ART. NO	DESCRIPTION	NO	ART. NO	DESCRIPTION
1	16400	Stock T12-400	B10	16030	Spring 0,5x4x35
2	0219	Bottle 400 complete	B11	18037	Spring lid
3	19023	Shroud 216mm	B12	16300	Valve offset bottle
A1	11541	Hammerspring adjuster	B13	19135	Rubber/steel washer
A2	16025	Springreturn	B14	16304	Socket head cap screw M6x30
A3	16005	Probe and hammer aligner	B15	19088	O-ring 15,88x2,62 NBR90
A4	16015-1R	Main Block T12 .177	B16	16302	Connector T12400
A4	16015-2R	Main Block T12 .22	B17	11505	Pressure gauge 25mm 1/8"
A4	16015-3R	Main Block T12 .25	B18	5005	Plastic Washer 2mm 1/8"
A5	2637	Grub screw M4x6 flat	B19	19005	Inlet valve rod - Blue
A6	16301	Barrel support T12400	B20	5107	O-ring 2,9x1,78 PUR90
A7	16028	O-ring 12x1 NBR70	B21	5112	O-ring 5,28x1,78 NBR70
A8 – 4,5	12030	Barrel 4,5-14-485	B22	16303	Quick connector short
A8 – 5,5	12006	Barrel 5,5-14-485	C1	11524	Triggerbase
A8 – 6,35	19115	Barrel 6,35-14-485	C2	2020	Trigger blade
A9	19114	Grub screw M5x6 flat	C3	11525	Triggerwheel
A10	19028	Shroud compensator 4,5-5,5	C4	11031	Triggersear
A11	19098	O-ring 18x4 NBR70	C5	11062	Adj screw second stage, soft
A12	18010	Muzzle thread insert	C6	2500	Grubscrew M3x6
A13	16024	Hammer spring v3,v4	C7	2527	Screw M3x10
A14	11540	Hammerweight	C8	11504	Spring 0,32x3,2x14,4
A15	11023	Hammer	C9	2500	Grubscrew M3x6
A16	16023	Cylindrical pin 2h6x16	D1	16007	Bolt attachment
A18	5112	O-ring 5,28x1,78 NBR70	D2	16004	Cocking Bolt v3.v4
A19	19015	Stock attachment M5	D3 – 4,5	16006	Pellet probe .177
A20	19103	Shroud mount rear	D3 - 5,5	16008	Pellet probe .22
A21- 4,5	17000	Muzzle .177	D3 – 6,35	16008+16106	Pellet probe .25
A21 - 5,5	19112	Muzzle .22	D4	16003	Pin 4mm v3
A21 - 6,35	19112	Muzzle .25	E1	5112	O-ring 5,28x1,78 NBR70
B1	5104	O-ring 9,3 x 2,4 NBR 70	E2 – 4,5	2529	O-ring 4,3x1,5 NBR70
B2	16028	O-ring 12x1 NBR70	E2 – 5,5	5108	O-ring 5,28x1,78 PUR70
B3	18014	Valve housing	E2 – 6,35	4526	O-ring 6,4x1,3 NBR 70
B4	7044	Valve seat Complete	E3 – 4,5	2057	Barrel brass inlet .177
B5	5114	O-ring 4,3x1,5 NBR90	E3 – 5,5	2056	Barrel Inlet .22
B6	2528	O-ring 1,5x1 NBR70	E3 – 6,35	19104	Barrel inlet .25
B6,7,8,9	7034	Valvepin complete			