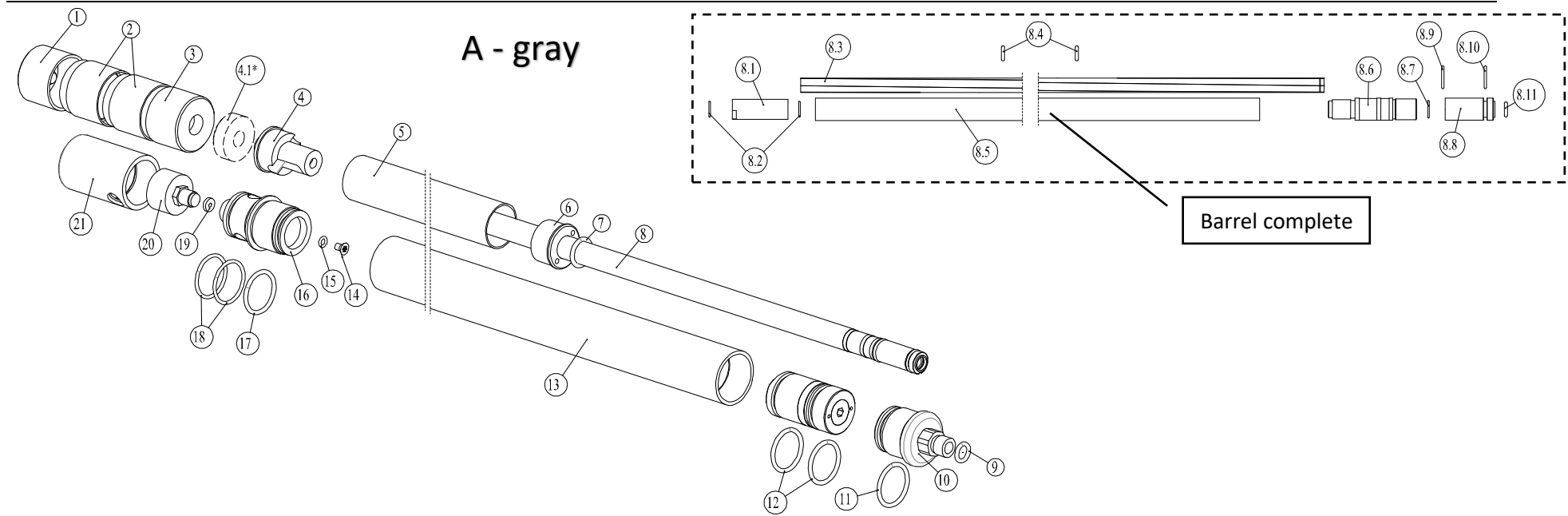
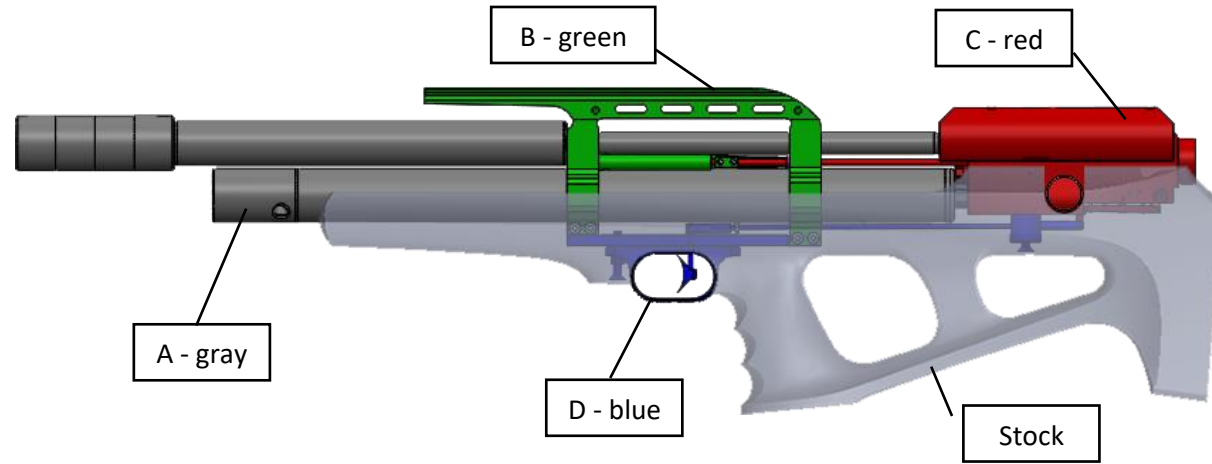
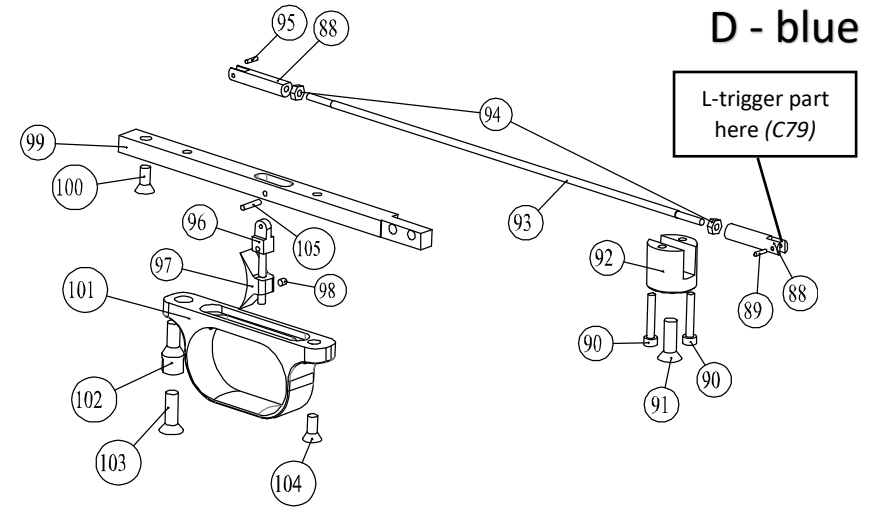
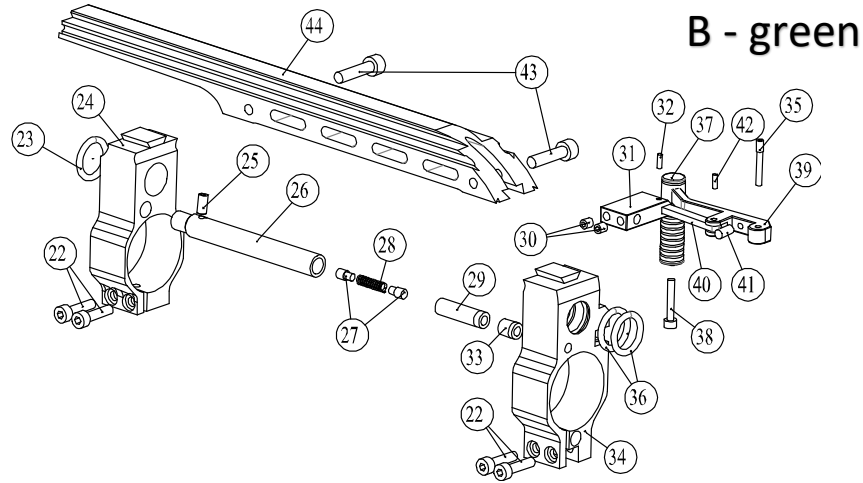
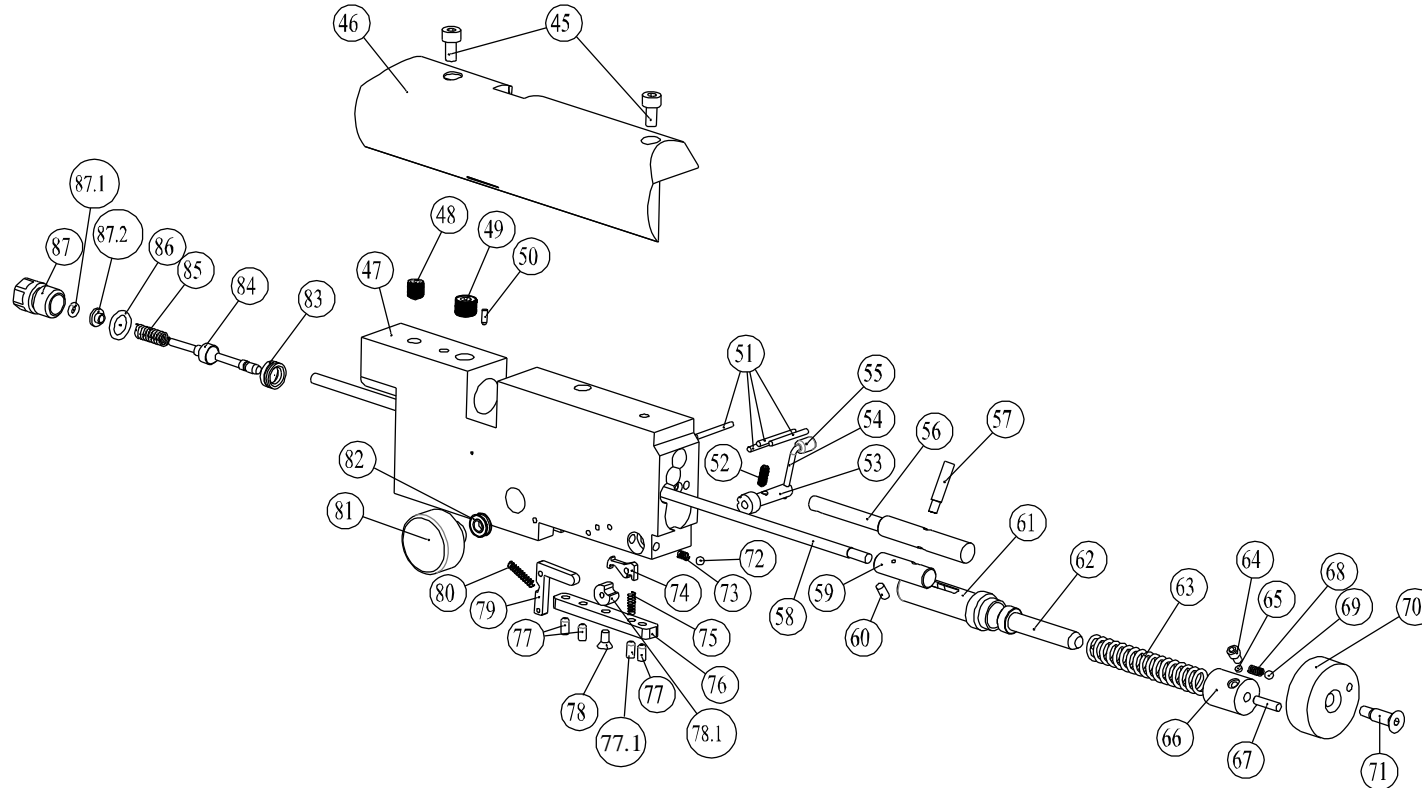


Model	Other model names	Date	Revision	Revision date
FX Wildcat MkIII		2020-08-12	EN.21.03	2021-05-12





C - red



Model	Other model names	Date	Revision	Revision date
FX Wildcat MkIII		2020-08-12	EN.21.03	2021-05-12

NO	ART. NO	DESCRIPTION	NO	ART. NO	DESCRIPTION	NO	ART. NO	DESCRIPTION
A1	19663	Shroud endcap .25 35mm	A 8.7 (.177)	19837	O-ring 7x1 NBR 70	B30	3007	Grub screw M4x4
A2	19680	Shroud Mid Part 35mm	A 8.7 (.22)	19117	O-ring 8x1 NBR 70	B31	20301	Slide Mount Wildcat MkIII
A3	19997	Shroud Start 35mm UNF 1/2"	A 8.7 (.25)	19954	O-ring 9x1 NBR 70	B32	19042	Cylindrical Pin 2m6x8
A4	19794	Compensator fixed .177-.22 UNF1/2"	A 8.7 (.30)	19145	O-ring 10x1 NBR 70	B33	19541	Short Bushing For Reloading Rod
A4	19998	Compensator fixed .25 UNF1/2"	A 8.8	19628	Barrel inlet .177	B34	20324	Rear barrel support Wildcat MkIII
A4	19999	Compensator fixed .30 UNF1/2"	A 8.8	19629	Barrel inlet .22	B35	19034	Screw M3 Special
A4.1*	20176	<i>Muzzle-Thread Cover</i>	A 8.8	19670	Barrel inlet .25	B36	12045	O-ring 13,95x2,62 NBR 70
A5	19573	Shroud 230mm Wildcat US .22	A 8.8	19671	Barrel inlet .30	B37	19611	Side Lever Handle B2-IM-Wildcat
A5	19142	Shroud 447mm Extreme	A 8.9	19703	O-ring 10x2 NBR 70 (.177, .22, .25)	B38	11060	Socket Head Cap Screw M3x18
A6	19588	Shroud Start Wildcat MKII	A 8.9	19210	O-ring 11x1,5 NBR 70 (.30)	B39	19529	Side Lever Wildcat
A7	12045	O-ring 13,95x2,62 NBR 70	A 8.10	19703	O-ring 10x2 NBR 70	B40	19021	Side Lever Linkage
A 8.1	19968	Liner Lock .177	A 8.11 (.177)	2529	O-ring 4,3 x 1,5 NBR 70	B41	12033	Conical grub screw M4x8
A 8.1	19969	Liner Lock .22	A 8.11 (.22)	19726	O-ring 5,5 x 1,5 NBR 70	B42	19026	Cylindrical pin 2,5m6x6
A 8.1	19970	Liner Lock .25	A 8.11 (.25)	2575	O-ring 6,35 x 1,27 NBR 70	B43	4509	Socket Head Cap Screw M5 x 20
A 8.1	19971	Liner Lock .30	A 8.11 (.30)	19209	O-ring 7,5x1,5 NBR 70	B44	19525	Wildcat Rail
A 8.2 (.177)	19837	O-ring 7x1 NBR 70	A9	19486	O-ring 8,3x2,4 NBR 70			
A 8.2 (.22)	19117	O-ring 8x1 NBR 70	A10	20377	Rear tube end Wildcat MkIII	C45	5230	Socket head cap screw M4x6
A 8.3	19964	STX Liner .177 500mm	A11	19485	O-ring 23,0x2,5 NBR 70	C46	20361	Cheekrest piece Wildcat MkIII
A 8.3	19965	STX Liner .22 500mm Superior	A12	19485	O-ring 23,0x2,5 NBR 70	C47	20330R	Main block Wildcat MKIII
A 8.3	20011	STX Liner .22 600mm Superior	A13	19555	Tube 34x410	C48	19086	Conical Grub Screw M6x8
A 8.3	20204	STX Liner .22 700mm Superior	A13	19556	Tube 34x570	C49	19955	Grub screw M8x6
A 8.3	19976	STX Liner .25 500mm Superior	A14	11511	Countersunk screw M4x8 (Torx)	C50	19601	Cylindrical pin 2h6x6
A 8.3	19966	STX Liner .25 600mm Superior	A15	19109	O-ring 4x1,5 NBR 70	C51	11502	Cylindrical pin 2h6x20
A 8.3	19977	STX liner .25 700mm Superior	A16	20080	Tube End Pressure Gauge	C52	19742	Grub Screw M3x8
A 8.3	20369	STX Liner .30 500mm Superior	A17	19485	O-ring 23,0x2,5 NBR 70	C53	19513	Safety Pivot
A 8.3	19967	STX Liner .30 600mm Superior	A18	19484	O-ring 24x2 NBR 70	C54	19584	Safety Lever
A 8.3	19978	STX Liner .30 700mm Superior	A19	5005	Plastic Washer 2mm 1/8"	C55	11200	Safety Knob
A 8.4 (.177)	19958	O-ring 6,02x2,62 NBR 70	A20	11505	Pressure gauge 25mm 1/8"	C56	20319	Pellet probe .177 Wildcat MKIII
A 8.4 (.22)	19952	O-ring 5,23x2,62 NBR 70	A21	19544	Dust cover Wildcat	C56	20320	Pellet probe .22 Wildcat MKIII
A 8.4 (.25)	19953	O-ring 5,5x2 NBR 70				C56	20321	Pellet probe .25 Wildcat MKIII
A 8.4 (.30)	2575	O-ring 6,35 x 1,27 NBR 70	B22	5201	Socket Head Cap Screw M4x16	C56	20322	Pellet probe .30 Wildcat MKIII
A 8.5	19973	Barrel housing 14x1x435mm	B23	12045	O-ring 13,95x2,62 NBR 70	C57	20305	Pellet probe screw Wildcat MKIII
A 8.5	19972	Barrel housing 14x1 550mm	B24	20323	Front barrel support Wildcat MkIII	C58	19516	Reloading Rod
A 8.5	19974	Barrel housing 14x1 650mm	B25	12033	Conical grub screw M4x8	C59	20304	Pellet probe carrier Wildcat MKIII
A 8.6	19960	Barrel Attachment .177	B26	19511	Reloading Rod Guide	C60	19491	Cylindrical Pin 3m6x6
A 8.6	19961	Barrel Attachment .22	B27	19586	Spring aligner	C61	19039	Hammer V7
A 8.6	19962	Barrel Attachment .25	B28	5204	Spring 0,5x3x15	C62	19215	Hammer weight
A 8.6	19963	Barrel Attachment .30	B29	19540	Long reloading rod bushing	C63	11500	Hammer spring

* = For shroud without shroud extension

