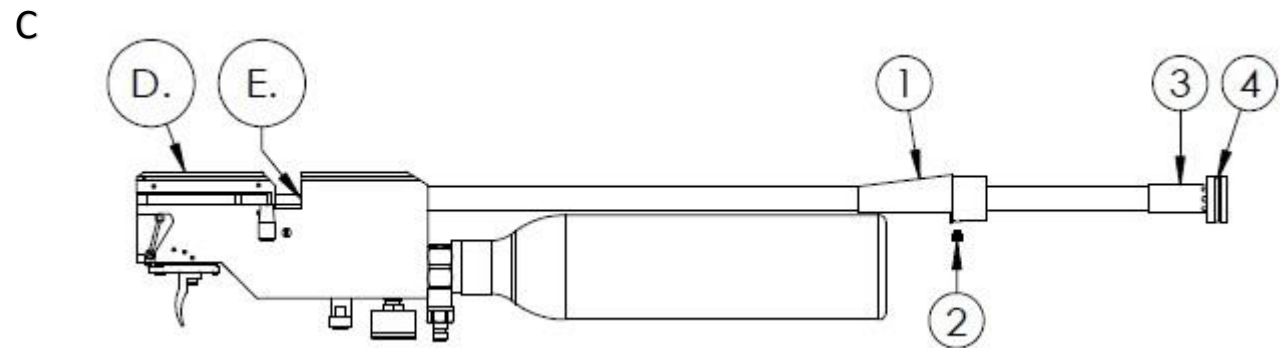
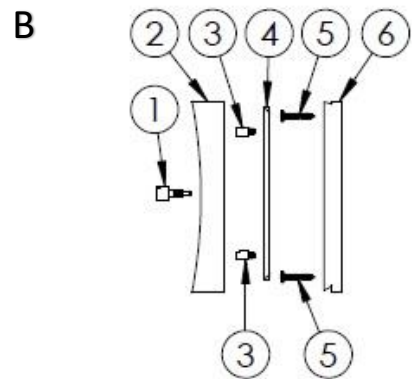
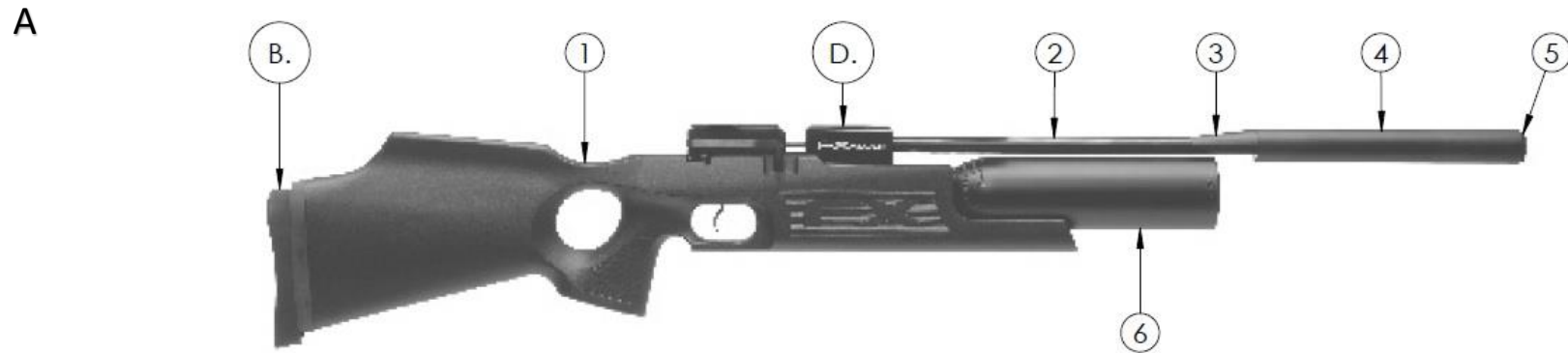
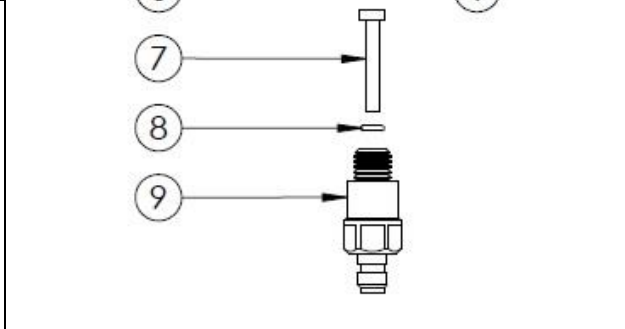
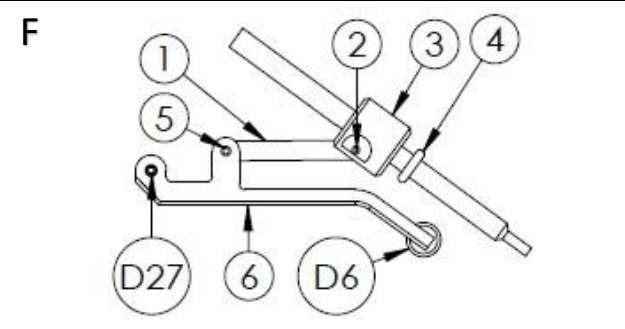
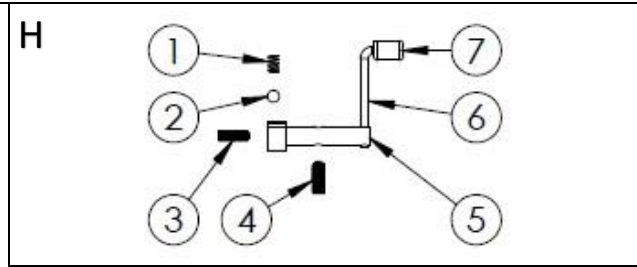
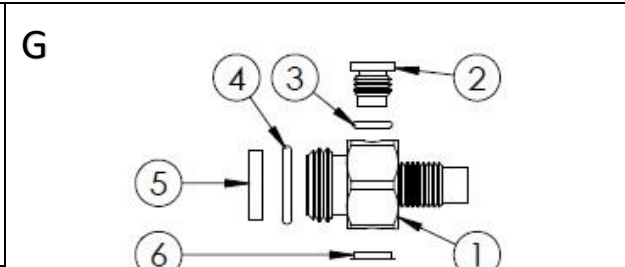
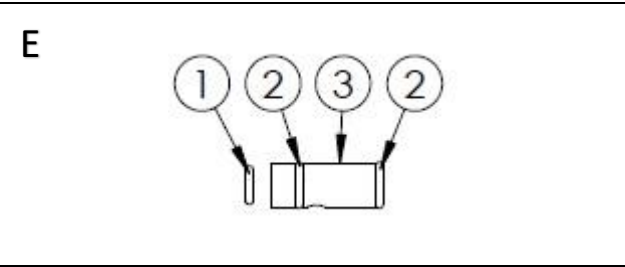
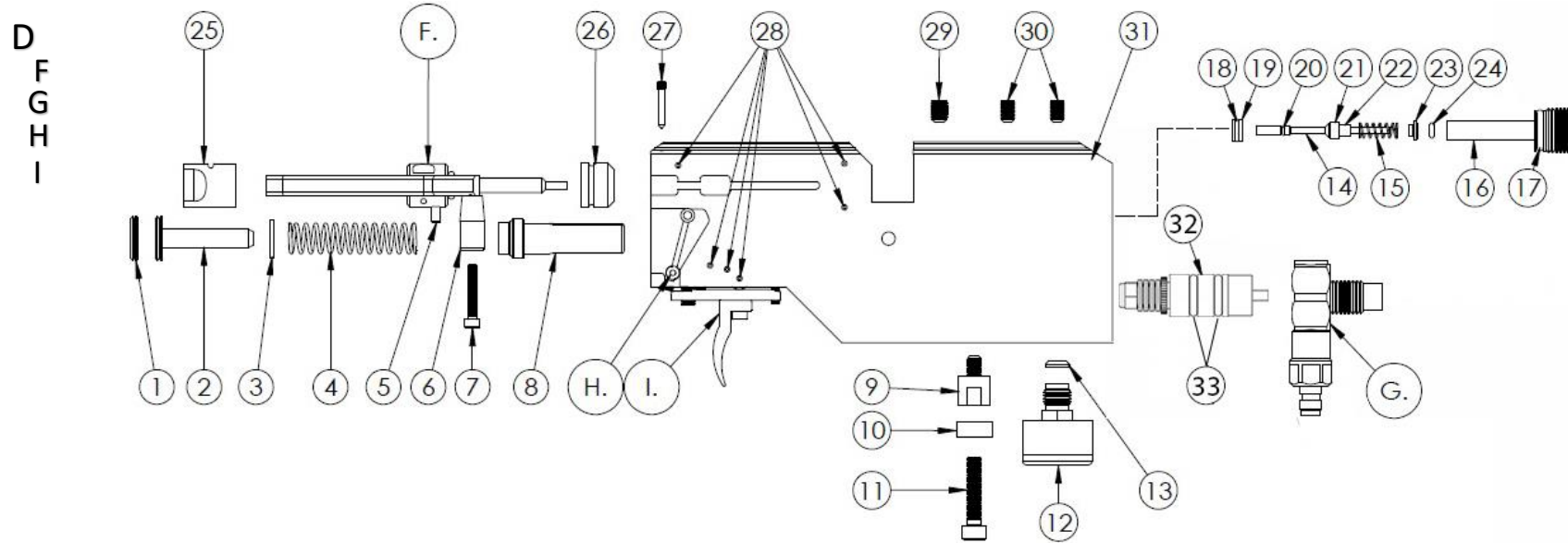


| Model | Other model names | Date | Revision | Revision date |
|-------------------------------|-------------------|------------|----------|---------------|
| FX Royale 400 (R4) – 500 (R5) | | 2018-06-21 | EN.21.02 | 2021-05-12 |



| Model | Other model names | Date | Revision | Revision date |
|-------------------------------|-------------------|------------|----------|---------------|
| FX Royale 400 (R4) – 500 (R5) | | 2018-06-21 | EN.21.02 | 2021-05-12 |



| Model | Other model names | Date | Revision | Revision date |
|-------------------------------|-------------------|------------|----------|---------------|
| FX Royale 400 (R4) – 500 (R5) | | 2018-06-21 | EN.21.02 | 2021-05-12 |

Description: X = Not shown in drawing / HP = High-power / LP = Low-power / ST = Smoothtwist / LW = Lothar Walther / W =Walnut / S = Synthetic

| NO | ART. NO | DESCRIPTION | NO | ART. NO | DESCRIPTION | NO | ART. NO | DESCRIPTION |
|--------------|-----------------|-----------------------------|--------------------|----------|--|----------------|---------|---|
| A1 – S | 19018 | Stock Royale Synthetic | D11 - W | 14500 | Socket head cap screw M5x16 | E2 | 5112 | O-ring 5,28x1,78 NBR70 |
| A1 – W | 19219 | Stock Royale Walnut: Std | D11 - S | 4509 | Socket head cap screw M5x20 | E3 - 4,5 | 2057 | Barrel brass inlet .177 |
| A2 - 4,5 | 12030 | Barrel 4,5-14-485 | D12 | 11505 | Pressure gauge 25mm 1/8" | E3 - 5,5 | 2056 | Barrel Inlet .22 |
| A2 - 5,5 | 12006 | Barrel 5,5-14-485 | D13 | 5005 | Plastic Washer 2mm 1/8" | E3 - 6,35 <16J | 19104 | Barrel inlet .25 |
| A2 - 6,35 | 19106 | Barrel 6,35-14-600 | D14 – no regulator | 7015 | Valve pin V7 complete | E3 – 6,35 >16J | 19118 | Barrel inlet .25 HP |
| A3 | 19032 | Shroud Cone | D14 – HP .22, reg. | 7019 | Valve pin SHP - Complete | F1 | 19021 | Side lever linkage |
| A4 - R4 | 19023 | Shroud 216mm | D14 – HP .25, reg. | 7020 | Valve pin long SHP - Complete | F2 | 19042 | Cylindrical pin 2mx6x8 |
| A4 - R5 | 19099 | Shroud 345mm R5 | D15 | 2525 | Spring 0,6x4x15 | F3 – 4,5 | 19011 | Pellet probe 4,5 |
| A5 - 4,5 | 17023 | Muzzle .177 | D16 LP | 19009 | Guide M16 | F3 – 5,5 | 19010 | Pellet probe 5,5 v7 |
| A5 - 5,5 | 17000 | Muzzle .22 | D16 HP | 19009HP | Guide M16 | F3 – 6,35 | 19192 | Pellet probe 6,35 v 7,8 |
| A5 - 6,35 | 19112 | Muzzle .25 | D17 | 5105 | O-ring 9,3x2,4 NBR90 | F4 | 1504 | O-ring 4,42x2,62 NBR70 |
| A6 - R4 | 0219 | Bottle 400 complete | D18 – no regulator | 7044 | Valve seat Complete | F5 | 19026 | Cylindrical pin 2,5m6x6 |
| A6 - R5 | 5536 | Tube/ Bottle 500cc Complete | D18 – with regul. | 19060 | Valve seat SHP Complete | F6 | 19020 | Sidelever |
| B1-6 | 16051 | Adjustable recoil pad | D19 | 2529 | O-ring 4,3x1,5 NBR70 | G1 | 19008 | Tube Receiver M20 |
| C1 | 19032 | Shroud Cone | D20 | 2528 | O-ring 1,5x1 NBR70 | G2 | 19035 | Plug 1/8" |
| C2 | 19114 | Grub screw M5x6 flat | D21 | 2040 | Plastic Washer | G3 | 4528 | O-ring 7,66x1,78NBR70 |
| C3 - 4,5 | 19028 | Shroud compensator 4,5-5,5 | D22 | 2041 | Holder Valve Seal | G4 | 19088 | O-ring 15,88x2,62 NBR90 |
| C3 - 5,5 | 19028 | Shroud compensator 4,5-5,5 | D23 HP | 19038 | Spring seat v7 | G5 | 19036 | Plastic Washer 18,9x15x3 Tube Receiver |
| C3 - 6,35 | 19065 | Shroud compensator 6,35 | D24 HP | 5111 | O-ring 2,5x1,5 NBR90 | G6 | 19030 | Plastic Washer 12x9,8x2,3 Early Royale |
| C4 | 19098 | O-ring 18,0x4,0 NBR 70 | D25 | 19029 | Rear pellet probe guide | G7 | 19005 | Inlet valve rod - Blue |
| D1 - Only UK | 16043 | Anti Tamper | D26 – 4,5 | 19013 | Black plastic bushing | G8 | 5107 | O-ring 2,9x1,78 PUR90 |
| D2 - 4,5 | 11030 | Hammerspring Adjuster | D26 - 5,5 | 19012 | Black plastic bushing 5,5 | G9 | 19062 | Quick Connector male |
| D2 - 5,5 | 11030 | Hammerspring Adjuster | D26 - 6,35 | 19101 | Black plastic bushing 6,35 | H1 | 11503 | Spring 0,5x2,5x4,4 |
| D2 - 6,35 | 11030 > 10Joule | Hammerspring Adjuster | D27 | 19034 | Screw M3 "special" | H2 | 4066 | Steelball 3mm |
| D2 - 6,35 | 11541 16Joule > | Hammerspring Adjuster | D28 | 19040 | Cylindrical pin 2m6x23,5 | H3 | 11633 | Grub Screw M2,5x8 |
| D3 | 16026 | Washer 6,7x14 | D29 | 19086 | Conical grub screw M6x8 | H4 | 11508 | Grub Screw M3x10 |
| D4 | 11500 | Hammerspring | D30 | 2534 | Conical grub screw M5x6 | H5 | 11027 | Safety Pivot |
| D5 | 11509 | Cylindrical pin 3h6x10 | D31 – 4,5 | 19003-1R | Main Block Royale .177 | H6 | 11625 | Safety lever 27,5mm Cyclone, Cutlas, Ranch. |
| D6 | 19037 | Side lever Handle v7 | D31 – 5,5 | 19003-2R | Main Block Royale .22 | H7 | 11200 | Safety knob |
| D7 | 11060 | Socket head cap screw M3x18 | D31 – 6,35 | 19003-3R | Main Block Royale .25 | I1 | 11031 | Trigger Sear |
| D8 - R4 | 19039 | Hammer V7 | D32 | - | See "Regulator pressure chart" schematic | I2 | 11504 | Spring 0,32x3,2x14,4 |
| D8 - R5 | 19039+11540 | Hammer+Weight | D33 | 5109 | O-ring 11,6 x 2,4 NBR 70 (already included in regulator mounted) | I3 | 11062 | Adj screw second stage, soft |
| D9 | 19015 | Stock Attachment M5 | E1 – 4,5 | 2529 | O-ring 4,3x1,5 NBR70 | I4 | 11524 | Trigger base |
| D9 - X | 5112 | O-ring 5,28x1,78 NBR70 | E1 – 5,5 | 5108 | O-ring 5,28x1,78 PUR70 | I5 | 2527 | Socket head cap screw M3x10 |
| D10 | 16044 | Stock Spacer | E1 – 6,35 | 4526 | O-ring 6,4x1,3 NBR 70 | I6 | 2020 | Trigger blade |
| | | | | | | I7+I9 | 2500 | Grub Screw M3x6 |
| | | | | | | I8 | 11525 | Trigger Wheel |