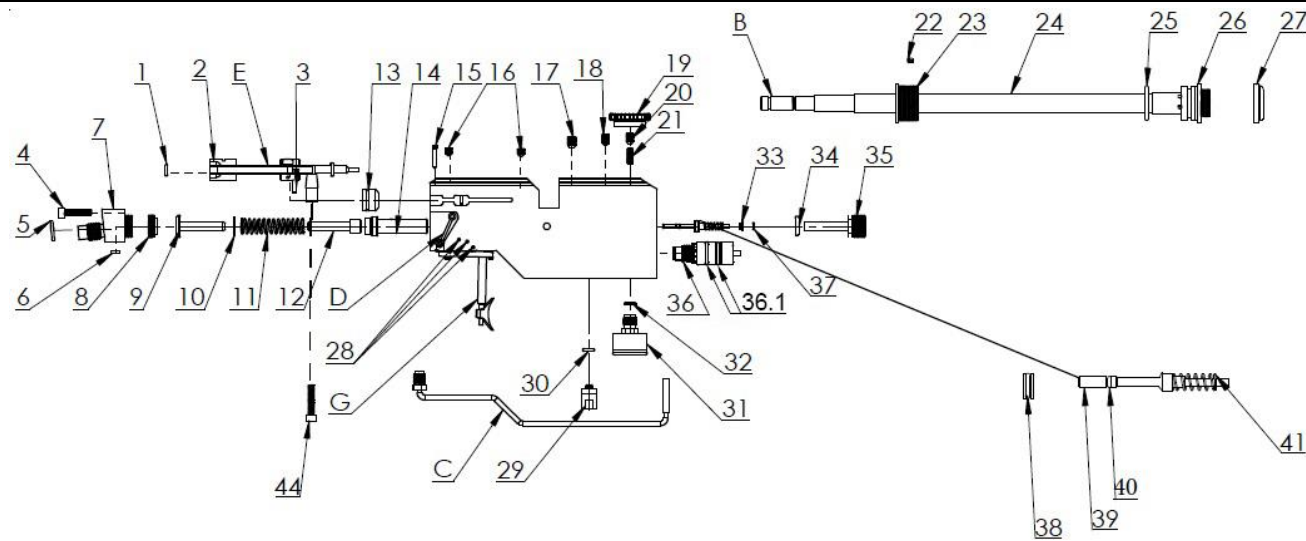


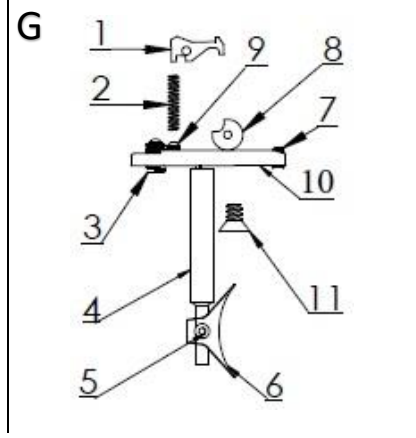
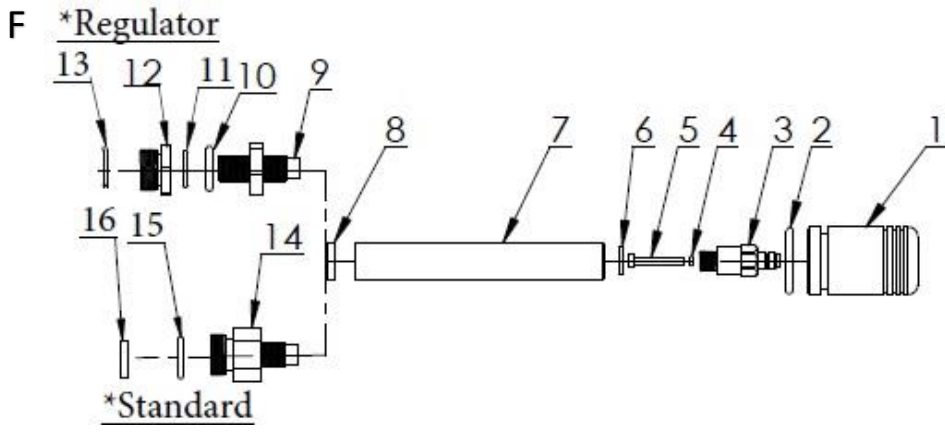
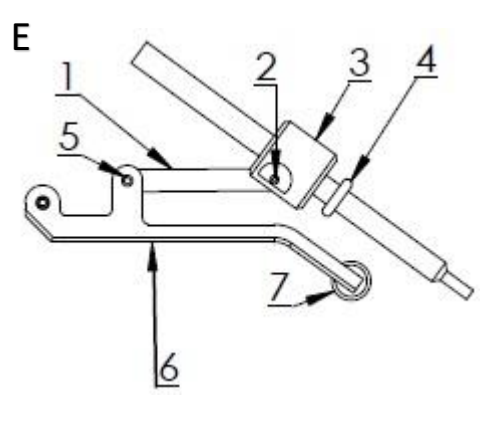
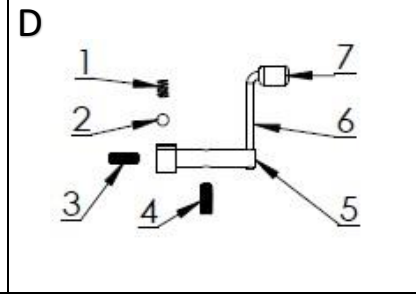
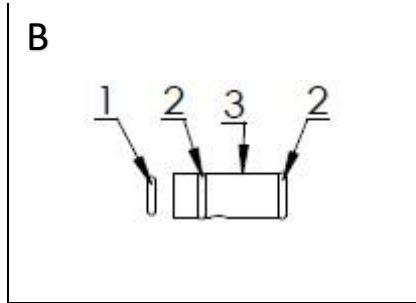
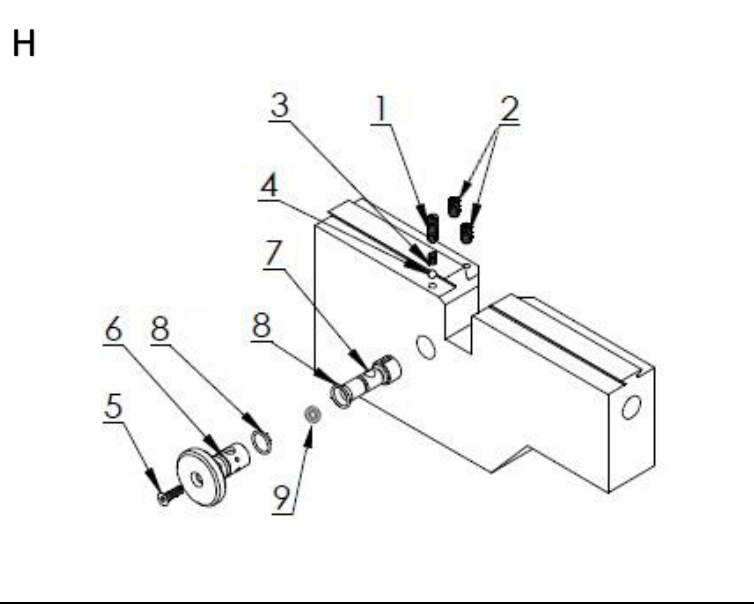
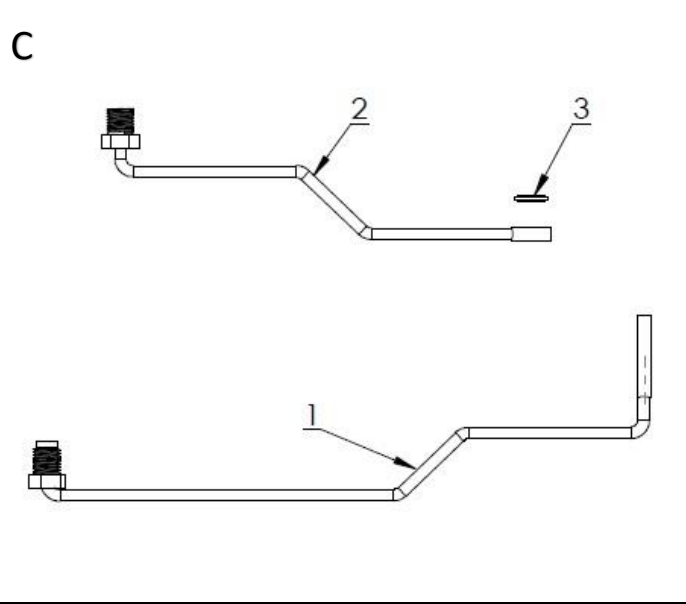
Model	Other model names	Date	Revision	Revision date
FX Verminator MkII		2018-06-20	EN.21.02	2021-05-12



A



Model	Other model names	Date	Revision	Revision date
FX Verminator MkII		2018-06-20	EN.21.02	2021-05-12



Model	Other model names	Date	Revision	Revision date
FX Verminator MkII		2018-06-20	EN.21.02	2021-05-12

NO	ART. NO	DESCRIPTION	NO	ART. NO	DESCRIPTION	NO	ART. NO	DESCRIPTION
1	14023	Bottle Cover/ Recoilpad	A33	19038	Spring seat v7	E7	19037	Side lever Handle v7
2	0315	Bottle 500cc complete	A34	5105	O-ring 9,3x2,4 NBR90	F1	19133	Dustcap MkII
3	14025	Pistol grip Soft Touch VII	A35	19009	Guide M16	F2	19342	O-ring 26,58x3,53 NBR70
4	19129	Shroud 247mm	A36 – Ext	-	See "Regulator pressure chart" schematic	F3	19033	Quick connector mkII
4 – Ext	19142	Shroud 447mm Extreme	A36.1	5109	O-ring 11,6 x 2,4 NBR 70 (already included in regulator mounted)	F4	5107	O-ring 2,9x1,78 PUR90
A1	5112	O-ring 5,28x1,78 NBR70	A37	5111	O-ring 2,5x1,5 NBR90	F5	19005	Quick connect red pin
A2	19029	Rear pellet probe guide	A38	7044	Valve seat Complete	F6	1511	Washer rubber/steel 1/8"
A3	11509	Cylindrical pin 3h6x10	A38 – shp	19060	Valve seat SHP Complete	F7	19132	Alu detail verminator
A4	5205	Socket head cap screw M4x20	A39	7015	Valvepin V7 complete	F8	11507	Rubber steel washer
A5	1511	Washer rubber/steel 1/8"	A39-shp	7019	Valvepin SHP complete	F9	14005	Air cylinder connector
A6	14015	Plastic Washer 6,8x2 Coppertubing	A40	2528	O-ring 1,5x1 NBR70	F10	17047	O-ring 11,91x2,62 NBR70
A7	14008	Air bottle connector	A41	2525	Spring 0,6x4x15	F11	12045	O-ring 13,95x2,62 NBR70
A8	11541	Hammer spring adjuster	A42	N/A		F12	19158	Adaptor M20-M12 VII Regulator
A9	11030	Hammerspring adjuster	A43	N/A		F13	19088	O-ring 15,88x2,62 NBR90
A10	5206	Washer 8x14x0,25	A44	11060	Socket head cap screw M3x18	F14	19056	Connector 1/8" MkII
A11	11500	Hammer spring	B1 – 4.5	2529	O-ring 4,3x1,5 NBR70	F15	19088	O-ring 15,88x2,62 NBR90
A12	11540	Hammer weight	B1 – 5.5	5108	O-ring 5,28 x 1,78 PUR70	F16	19036	Plastic Washer 18,9x15x3 Tube Receiver
A13 – 4.5	19013	Black plastic bushing 4,5	B1 – 6.35	4526	O-ring 6,4x1,3 NBR 70	G1	19177	Trigger Sear v7.8.12
A13 – 5.5	19012	Black plastic bushing 5,5	B2	5112	O-ring 5,28 x 1,78 NBR 70	G2	11504-2	Spring 0,4x2,5x15 Jp
A13 – 6.35	19101	Black plastic bushing 6,35	B3 – 4.5	2057	Barrel brass inlet .177	G3	11062	Adj screw second stage, soft
A14	19039	Hammer v7	B3 – 5.5	2056	Barrel Inlet .22	G4	19151	Trigger shoe mount long
A15	19034	Grub screw M3 - Special	B3 – 6.35	19104	Barrel inlet .25	G5	12035	Grubscrew M2,5x2,5
A16	2534	Conical grub screw M5x6	C1	19164	Copperpipe MkII Regulator	G6	19136	Adjustable trigger blade
A17	19086	Conical grub screw M6x8	C2	19135	Rubber Steel Washer	G7	2500	Grubscrew 3x6
A18	2503	Cup point grub screw M5x8	C3	19163	Copperpipe MkII	G8	11525	Trigger wheel
A19 – Ext	19143	Knob for barrel change	D1	11503	Spring 0,5x2,5x4,4	G9	2500	Grubscrew M3x6
A20	11201	Cup point grub screw M5x4	D2	11527	Steelball 3,175	G10	11524	Trigger Base
A21 – Ext	16041	Grubscrew M5x14	D3	11633	Grubscrew M2,5x8	G11	2504	Countersunk M3x6
A22	2534	Conical grub screw M5x6	D4	11508	Grub screw M3x10	H1.1	19003-4R	Main Block Verminator MkII .177
A23	19103	Shroud mount rear	D5	11027	Safety pivot	H1.1	19003-5R	Main Block Verminator MkII .22
A24 – 4.5	19013	Barrel 4,5 285mm	D6	11625	Safety lever 27,5mm Cyclone, Cutlas, Rancho.	H1.1	19003-6R	Main Block Verminator MkII .25
A24 – 5.5	12006	Barrel 5,5 285mm	D7	11200	Safety knob	H1.1	19311-3R	Main Block Verminator MkII .30
A24 – 5.5	12006	Barrel 5,5 485mm	E1	19021	Side lever linkage	H1	2502	Grub screw M4x12
A24 – 6.35	19115	Barrel 6,35 485mm	E2	19042	CPK 2m6x8	H2	12033	Conical grub screw M4x8
A25	5113	O-ring 20,4x2,62 NBR70	E3 – 4.5	19011	Pellet probe 4,5	H3	11501	Spring 0,5x2,5x6,1
A26	19122	Muzzle MkII 4,5-5,5	E3 – 5.5	19010	Pelletprobe 5,5	H4	4066	Steelball 3mm
A27	19128	Thread cover M20	E3 – 6.35	19192	Pelletprobe .25 + Pellet probe Elite	H5	2508	Countersunk screw M3x10
A28	19040	Cylindrical pin 2m6x23,5	E4 – 4.5	19171	O-ring 4x2 NBR70	H6	16083	Outer Speed knob v7
A29	19121	Stock attachment	E4 – 5.5	19332	O-ring 5x2 NBR70	H7	16082	Inner axel 4,5mm for power wheel
A30	5112	O-ring 5,28x1,78 NBR70	E4 – 6.35	19228	O-ring 6x2 NBR 70	H8	19108	O-ring 8x1 NBR90
A31	11505	Pressure gauge 25mm 1/8"	E5	19026	Cylindrical pin 2,5m6x6	H9	19109	O-ring 4x1,5 NBR70
A32	5005	Plastic Washer 2mm 1/8"	E6	19020	Sidelever v7			