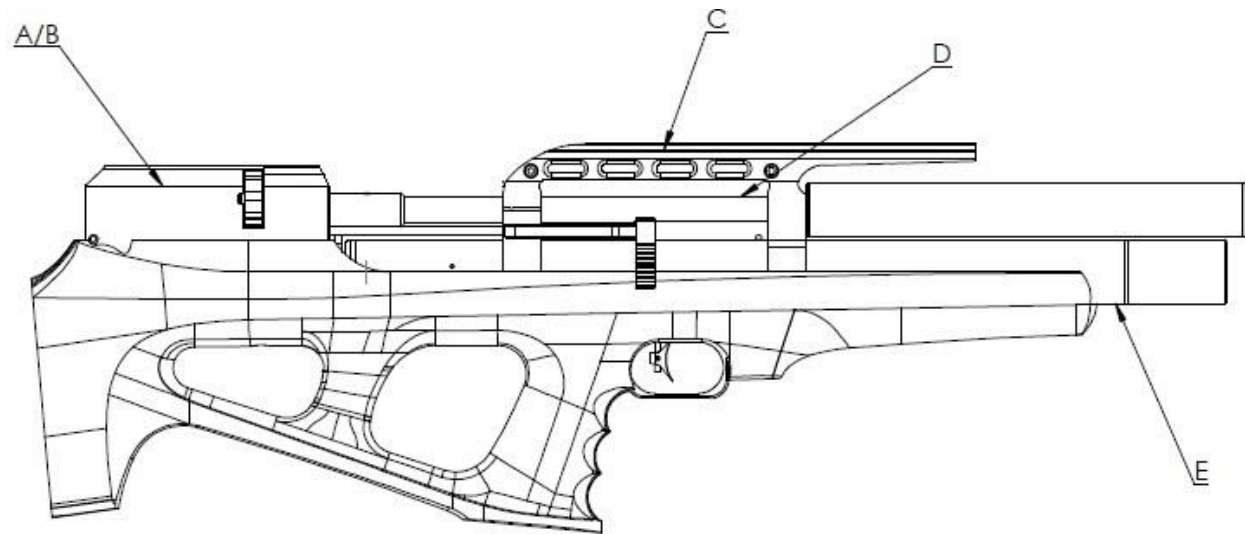
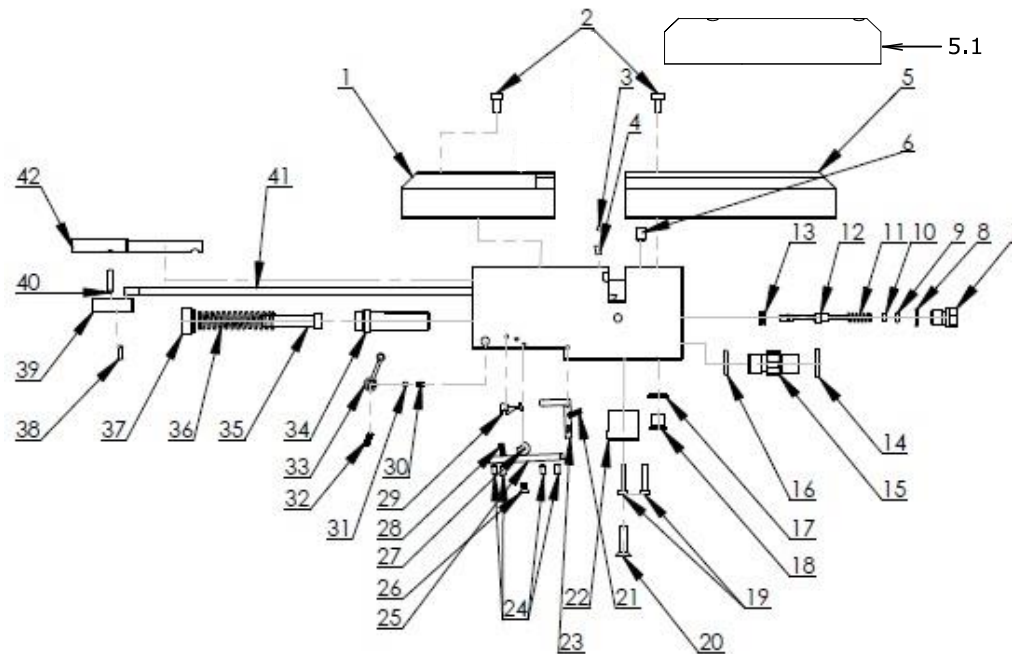


Model	Other model names	Date	Revision	Revision date
FX Wildcat		2018-07-09	EN.21.01	2021-05-12

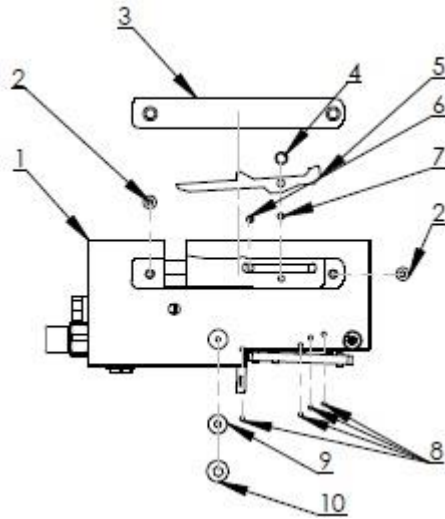


A

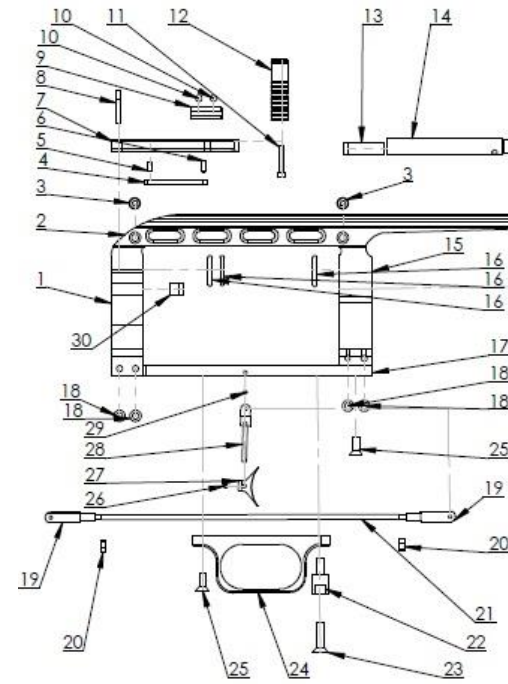


Model	Other model names	Date	Revision	Revision date
FX Wildcat		2018-07-09	EN.21.01	2021-05-12

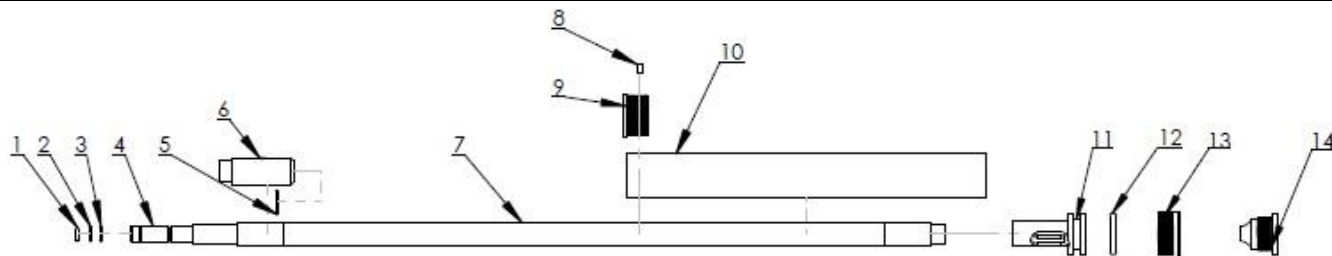
B



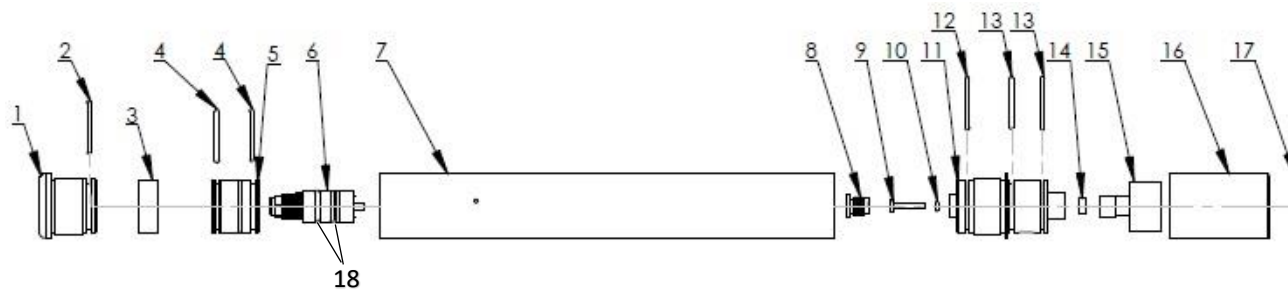
C



D



E



Model	Other model names	Date	Revision	Revision date
FX Wildcat		2018-07-09	EN.21.01	2021-05-12

NO	ART. NO	DESCRIPTION	NO	ART. NO	DESCRIPTION	NO	ART. NO	DESCRIPTION
A1	N/A	A1 and A5 replaced with A5.1	B6	19549	M3 indexing screw	D14-4,5	17023	Endcap 4,5
A2	15032	Socket head cap screw M4x8	B7	11508	Grubscrew m3x8	D14-5,5	17000	Endcap 5,5
A3	19185	Steelball 2,38	B8	11502	CPK 2h6x20	D14-6,35	19112	Endcap 6,35
A4	16100	Magnet 3x5	B9	5005	Plastic washer 2mm	E1	19543	Tube end back
A5	N/A	A1 and A5 replaced with A5.1	B10	19548	Brass plug g1/8"	E2	19485	O-ring 23,0x2,5 NBR 70
A5.1	19531	Wildcat Cheek Piece 2018	C1	19523	Barrelsupport back	E3	19514	Distance regulator
A6	19086	Grub Screw M6x8	C2	19525	Rail wildcat	E4	19497	O-ring 23,3x2,4 NBR 70
A7-HP	19508	Valve house Hp	C3	4509	M5x20mm	E5	19512	Regulator seat wildcat
A7-10j/12ft/p	19508-1	Valve house 10j/12Ft/p	C4	19021	Linkage v7	E6-5,5 6,35	19043-140	Regulator 140Bar
A8	4528	O-ring 7,66x1,78 NBR70	C5	19026	CPK 2,5m6x6	E6-4,5	19043-115	Regulator 115Bar
A9-HP	5111	O-ring 2,5x1,5 NBR90	C6	19042	CPK 2m6x8	E6 12ft/p 4,5	19043-65	Regulator 65Bar
A10-HP	19550	Delring Washer Valvepin	C7	19529	Cocking lever v7 wildcat	E6 12ft/p 10J	19043-55	Regulator 55Bar
A11	2525	Spring 0,6x4x15	C8	19034	M3 Special v7	E7 - 4,5 & 5,5	19555	Tube 410mm
A11-10J/12Ft	19580	0,75x4x20	C9	19507	Reload Sliding bracket	E7 - 6,35	19556	Tube 570mm
A12	7052	Complete Wildcat Valvepin	C10	2637	Grubscrew m4x6mm	E8	19035	Plugg 1/8 v7
A13	19060	Complete Valveseat Shp	C11	11060	Mc6s M3x18	E9	19329	Check valve cone gold
A14	11507	Rubbersteelwasher	C12	19611	Lever handle Wildcat	E10	5111	O-ring 2,5x1,5NBR90
A15	19505	Tubeconnector	C13	19540	Bushing wildcat 25mm	E11	19542	Tube end manometer
A16	19486	O-ring 8,3x2,4 NBR 70	C14	19511	Reloadingbar guide	E12	19485	O-ring 23,0x2,5 NBR 70
A17	19499	Rubbersteel washer m7	C15	19524	Barrelsupport front	E13	19484	O-ring 24x2 NBR 70
A18	19510	Plug m7	C16	12045	O-ring 13,95x2,62	E14	5003	Plastic Bushing 4mm
A19	11060	Mc6s m3x18	C17	19526	Triggerplate Wildcat	E15	11505	Manometer 25mm
A20	19483	Mc6s m5x16	C18	5201	Mc6s4x16	E16	19544	Dust cover wildcat
A21	19498	Spring 0,2x2,5x13,1	C19	19574	M3 metalclevis	E17	19545	Delrin Bushin dustcover
A22	19515	Stock Adapter	C20	19482	M3 Nut		19495	Stock synthetic wc
A23	19527	L Trigger Wildcat	C21	19518	Triggerrod		19489	Buttpad Wildcat
A24	2500	Grub screw m3x6	C22	19547	Kuts m5-m4		1957	Magazine 4,5 wc
A25	19528	Triggerbase wildcat	C23	19483	Countersunk screw m5x16		1958-1	Magazine 5,5 wc
A26	2504	Countersunkscrew m3x6	C24	15008	Triggerguard straight		1959	Magazine 6,35 wc
A27	11525	Triggerwheel	C25	2505	Countersunk screw M4x10	E18	5109	O-ring 11,6x2,4 NBR70
A28	5204	spring 0,5x3x15	C26	12035	Grubscrew m2,5x2,5			
A29	11031	Trigger Sear v7, v8	C27	19136	Adjustable Triggerblade			
A30	11503	Spring 0,5x2,5x4,4	C28	19506	Trigger bracket wildcat			
A31	4066	3mm Steelball	C29	19213	Cpk 2h6x10			
A32	11508	Grubscrew M3x8	C30	19541	Delrin bushing wildcat			

Model	Other model names	Date	Revision	Revision date
FX Wildcat		2018-07-09	EN.21.01	2021-05-12

A33	9200	Safety complete	D1-4,5	2529	O-ring 4,3x1,5 NBR 70			
A34-HP 6,35	19039	Hammer v7	D1-5,5	5108	O-ring 5,28x1,78 Pur 70			
A35-HP	19215	Hammerweight 4mm	D1-6,35	2575	O-ring 6,35x1,27 NBR70			
A36-12ft/p	11500	Hammerspring v3,v4	D2	5112	O-ring 5,28x1,78 NBR70			
A36-10J	16024	Spring 1x7x65	D3	5112	O-ring 5,28x1,78 NBR70			
A36-HP	19581	Hammerspring v2	D4-4,5	2057	Barrel inlet 4,5			
A37-6,35	11541	Hammerspring adjuster HP	D4-5,5	2056-2	Barrel inlet 5,5 SHP			
A37	11030	Hammerspring guide/adjuster	D4-6,35	19104	Barrel inlet 6,35 SHP			
A38	19491	Cpk 3m6x6	D5	19226	O-ring 12x2 NBR 90			
A39	19501	Guide connector	D6	19509	Barrelsupport Wildcat			
A40	19490	Cpk 3h6x14	D7-4,5	12030	Barrel 485mm 4,5			
A41	19516	Reloading Rod	D7-5,5	12006	Barrel 485mm 5,5			
A42-4,5	19520	Feedingpin 4,5	D7-6,35	19106	Barrel 600m 6,35			
A42-5,5	19517	Feedingpin 5,5	D8	11201	Grubscrew m5x4			
A42-6,35	19502	Feedingpin 6,35	D9	19103	Shroud adapter			
B1	19599-1R	Main Block Wildcat Mkl .177	D10-4,5-5,5	19099	Shroud 345mm			
B1	19599-2R	Main Block Wildcat Mkl .22	D10-6,35	19142	Shroud 447mm			
B1	19599-3R	Main Block Wildcat Mkl .25	D11-4,5 5,5	19028	Shroud compensator			
B2	2504	M3x6 Countersunk screw	D11-6,35	19028-7,2	Shroud compensator 7,2			
B3	19572	Reloading plate wildcat	D12	19098	O-ring 18x4 NBR 70			
B4	2520	Spring 0,5x4x7	D13	18010	Muzzlethread			
B5	19571	Magazine catch wildcat						