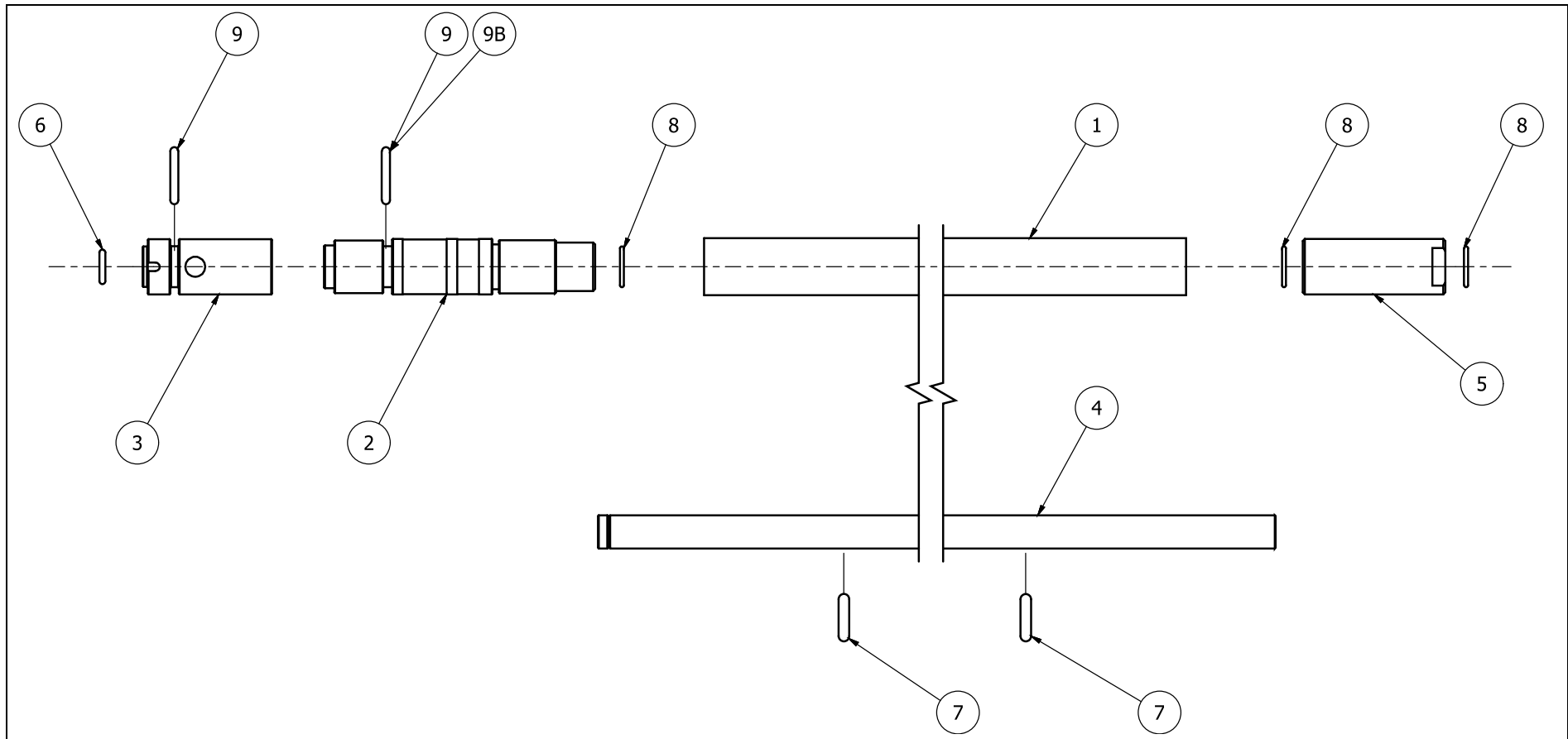


Model	Other model names	Date	Revision	Revision date
X-barrel		2020-04-15	EN.	-



Model	Other model names	Date	Revision	Revision date
X-barrel		2020-04-15	EN.	-

NO	ART. NO	DESCRIPTION	NO	ART. NO	DESCRIPTION
<b>.177</b>			<b>.25 (600)</b>		
1	19973	Barrel House 14x1x435mm	1	19972	Barrel House 550mm
2	19960	Barrel attachment .177	2	19962	Barrel attachment .25
3	19628	Barrel inlet .177 Impact/Crown	3	19670	Barrel inlet .25 Impact/Crown
4	19964	STX Liner .177 500mm Pellet A	4	19966	STX Liner .25 600mm Pellet A
5	19968	Liner Lock .177	5	19970	Liner lock .25
6	2529	O-ring 4,3 x 1,5 NBR 70	6	2575	O-ring 6,35 x 1,27 NBR 70
7	19958	O-ring 6,02 x 2,62 NBR 70	7	19953	O-ring 5,5 x 2 NBR 70
8	19837	O-ring 7 x 1 NBR 70	8	19954	O-ring 9 x 1 NBR 70
9	19703	O-ring 10 x 2 NBR 70	9	19703	O-ring 10 x 2 NBR 70
<b>.22 (485)</b>			<b>.30 (600)</b>		
1	19973	Barrel House 14x1x435mm	1	19972	Barrel House 550mm
2	19961	Barrel attachment .22	2	19963	Barrel attachment .30
3	19629	Barrel inlet .22 Impact/ Crown	3	19671	Barrel inlet .30 Impact/Crown
4	19965	STX Liner .22 500mm Pellet A	4	19967	STX Liner .30 600mm Pellet A
5	19969	Liner lock .22	5	19971	Liner lock .30
6	19726	O-ring 5,5 x 1,5 NBR 70	6	19209	O-ring 7,5 x 1,5 NBR 70
7	19952	O-ring 5,23 x 2,62 NBR 70	7	2575	O-ring 6,35 x 1,27 NBR70
8	19117	O-ring 8 x 1 NBR 70	8	19145	O-ring 10 x 1 NBR 70
9	19703	O-ring 10 x 2 NBR 70	9	19703	O-ring 10 x 2 NBR 70
			9B	19210	O-ring 11 x 1,5 NBR 70